



# CUSTOM PRESTO-TITE RADIUS EDGE ONE

FULLY ADHERED OR MECHANICALLY ATTACHED SINGLE-PLY VERSION

CUSTOM FACE SIZE AND FASTENER LOCATION - .050" AND .063" ALUMINUM COVER MATERIAL

**IMPORTANT!!!** MUST INDICATE PROPER RADIUS CONDITION BY CIRCLING APPROPRIATE OUTSIDE FACE

**PROVIDING A RADIUS**  
THE RADIUS MAY BE PROVIDED IN ONE OF TWO METHODS:

1.) THE ACTUAL KNOWN RADIUS IS

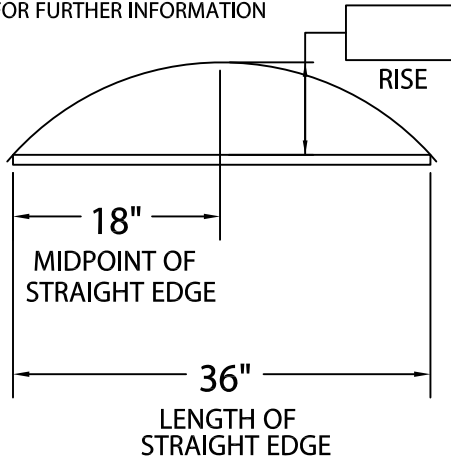
(SMALLEST RADIUS ALLOWED IS 4'-0")

OR

2.) FIELD CONDITION MEASUREMENTS

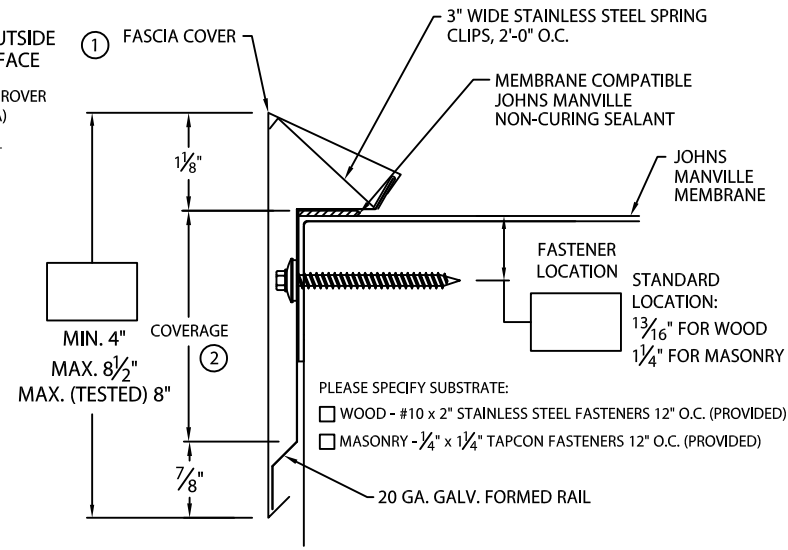
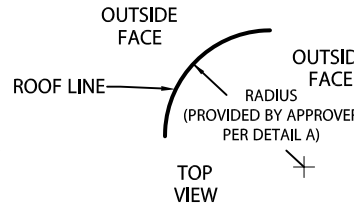
NOTE: REFER TO ATTACHED WORKSHEET FOR FURTHER INFORMATION

(MAX. RISE ALLOWED IS 3 1/2" ON 36" CHORD)



NOTE: CHECK MEASUREMENTS ALONG ENTIRE RADIUS.

DETAIL A



----- INDICATES AREA TO BE SLIT TO FORM RADIUS  
OVER 150'-0" RADIUS = NO SLITS  
30'-0" - 150'-0" RADIUS = SLITS 12" O.C.  
16'-0" - 30'-0" RADIUS = SLITS 6" O.C.  
8'-0" - 16'-0" RADIUS = SLITS 3" O.C.  
4'-0" - 8'-0" RADIUS = CUSTOM SLITS 3" O.C.

### NOTES:

- ① FASCIA COVER PROVIDED WITH 3 1/2" SPLICE PLATE.
- ② TYPICALLY COVERAGE SHOULD EXTEND A MIN. OF 1" BELOW WOOD BLOCKING IF APPLICABLE.

Fabrication will proceed only after receipt of signed print approval.

### Print Approval:

Architect and/or contractor shall verify all dimensions, sizes and quantities. All products to be installed in strict accordance Johns Manville's printed instructions.

Approved by: \_\_\_\_\_  
Date: \_\_\_\_\_

### MATERIAL:

- \_\_\_ .050" Aluminum
- \_\_\_ .063" Aluminum
- \_\_\_ OTHER \_\_\_\_\_

Color: \_\_\_\_\_

Finish: \_\_\_\_\_

### QUANTITIES:

\_\_\_\_\_ Lineal Feet 12'-0" Lengths  
Cover and Rail Supplied in 12'-0" Lengths for 16'-0" radius or greater.  
Cover and Rail Supplied in 6'-0" Lengths for radius less than 16'-0".

PROJECT: \_\_\_\_\_  
ARCHITECT: \_\_\_\_\_  
ROOFING CONTRACTOR: \_\_\_\_\_  
REPRESENTATIVE/DISTRIBUTOR: \_\_\_\_\_

51 Lexington Street; Lewiston, ME 04240  
CUSTOMER SERVICE: 800-223-8317 USA  
800-445-1500 Canada  
TECHNICAL SERVICE: 800-445-1500 USA & Canada  
FAX: 207-784-0125  
OTHER AREAS CALL: 207-784-0123



DATE: 03/14/24 SHT.# \_\_\_ OF \_\_\_  
DRN BY: JJC  
CKD BY: MM DWG# 16310-20010 K