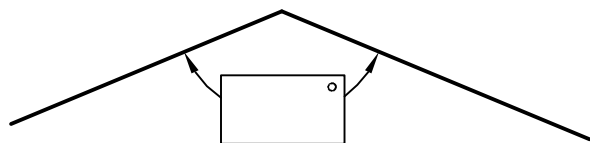


NON 90° FASCIA MITERS

OUTSIDE MITER - OBTUSE

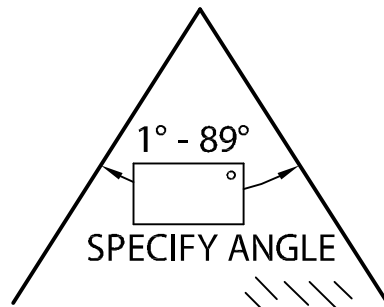


SPECIFY ANGLE 91° - 179°



- Standard Leg Lengths
 Custom Leg Lengths _____ Qty _____

OUTSIDE MITER - ACUTE



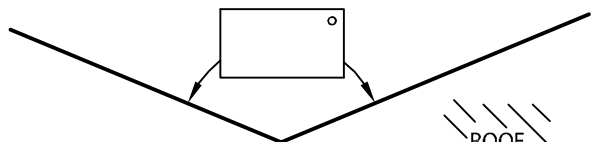
1° - 89°

SPECIFY ANGLE



- Standard Leg Lengths
 Custom Leg Lengths _____ Qty _____

INSIDE MITER - OBTUSE

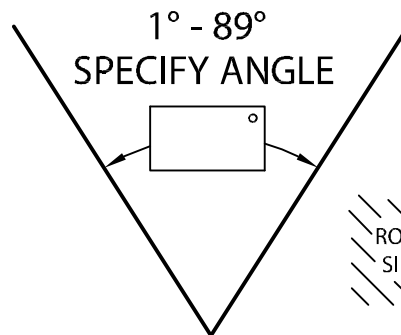


SPECIFY ANGLE 91° - 179°



- Standard Leg Lengths
 Custom Leg Lengths _____ Qty _____

INSIDE MITER - ACUTE



1° - 89°

SPECIFY ANGLE



- Standard Leg Lengths
 Custom Leg Lengths _____ Qty _____

Fabrication will proceed only after receipt of signed print approval.

Print Approval:

Architect and/or contractor shall verify all dimensions, sizes and quantities. All products to be installed in strict accordance with Soprema's printed instructions.

Approved by: _____

Date: _____

MATERIAL:

___ 24 Ga. (.65 mm) Galv.

___ .040" (1.01 mm) Alum.

___ .050" (1.27 mm) Alum.

___ .063" (1.60 mm) Alum.

___ OTHER _____

Color: _____

Finish: _____

PROJECT:

ARCHITECT:

ROOFING CONTRACTOR:

REPRESENTATIVE/DISTRIBUTOR:

800-356-3521

www.soprema.us

310 Quadral Dr. Wadsworth, OH 44281

f: 330-334-6257



DATE: 08/05/14

DRN BY: JJC

CKD BY: SAK

SHT.# ___ OF ___

DWG# 33010-20199

A



NON 90° FASCIA MITERS

RIGHT ANGLES ARE 90°
ACUTE ANGLES RANGE FROM 1° - 89°
OBTUSE ANGLES RANGE FROM 91° - 179°

