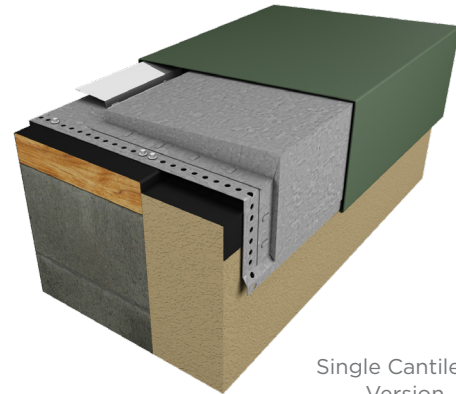


THE PERFECT SOLUTION FOR EIFS, BRICK & PANELS

Perma-Tite® Gold Cantilever Coping is the perfect solution for attachment to a parapet wall with a non-structural exterior building facade.

Conditions such as EIFS, brick, or panels don't allow for traditional anchoring to the exterior building structure, but Perma-Tite Gold Cantilever Coping's unique support brackets bring extra stability to the roof edge system when attachment is required up to 6" away from the outside facade. It has a full snap-on design with galvanized steel anchor clips and factory-applied stainless steel springs that ensure long-term positive attachment. Perma-Tite Gold Cantilever Coping is custom fabricated in sizes to meet specific job requirements.



Single Cantilever
Version

VERSIONS

- Single Cantilever
- Double Cantilever

STANDARD COVER MATERIALS

- 24 ga. Steel
- 22 ga. Steel
- .040" Aluminum
- .050" Aluminum
- .063" Aluminum

*Single Cantilever Version only.

CANTILEVER COPING AT-A-GLANCE

215 MPH Lifetime Wind Warranty

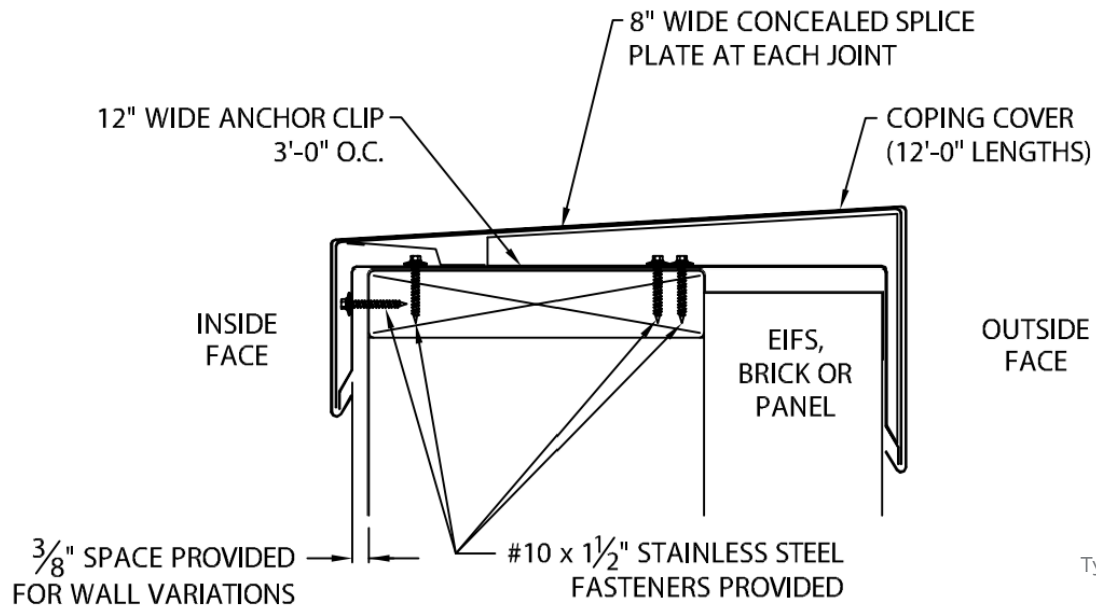
ANSI/SPRI/FM 4435/ES-1 Tested*

FM Approved for Wind Uplift Protection*

Miami-Dade County Approved

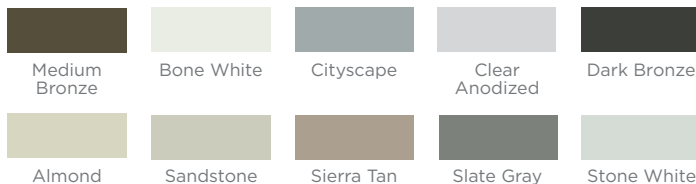
Variety of Colors, Sizes & Materials

Easy Install = Decreased Labor Costs



10 EXPRESS COLORS FOR QUICK SHIPPING

Express, standard, and premium colors and finishes are available to meet your job requirements and includes a 30-year Kynar 500® finish warranty on coil-coated standard colors. Custom colors are also available. For the most accurate color representation, contact us to request a paint chip.



All colors are also available in Mill Finish.

EASY, EFFICIENT INSTALLATION

- Full snap-on design with no crimping
- Provided in 12'-0" lengths for quicker installation and lower labor costs
- Pre-punched fastening holes to ensure proper attachment to building substrate
- Corrosion resistant, stainless steel springs attached to anchor clips provide long-term, positive spring loading