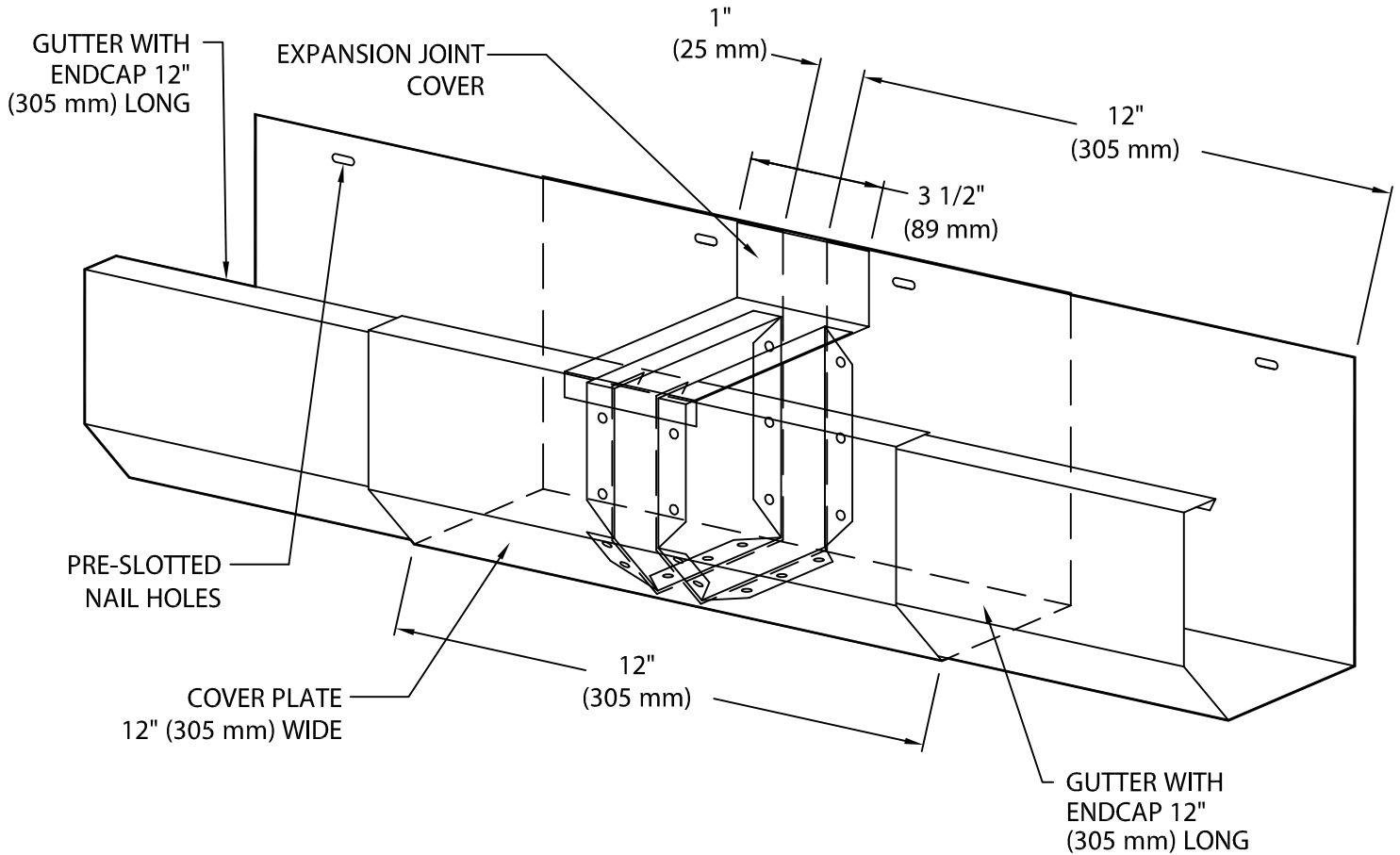


STYLE 1 GUTTER EXPANSION JOINT

SMACNA DESIGN



NOTE: IG-2 Shown. Detail will change as to individual gutter systems

Fabrication will proceed only after receipt of signed print approval.

Print Approval:

Architect and/or contractor shall verify all dimensions, sizes and quantities. All products to be installed in strict accordance with Johns Manville's printed instructions.

Approved by: _____

Date: _____

MATERIAL:

- 24 Ga. (.65 mm) Galv.
- .040" (1.01 mm) Alum. Color: _____
- .050" (1.27 mm) Alum.
- .063" (1.60 mm) Alum. Finish: _____
- OTHER _____

QUANTITIES:

_____ Quantity Required

PROJECT:

ARCHITECT:

ROOFING CONTRACTOR:

REPRESENTATIVE/DISTRIBUTOR:

51 Lexington Street; Lewiston, ME 04240
 CUSTOMER SERVICE: 800-223-8317 USA
 800-445-1500 Canada
 TECHNICAL SERVICE: 800-445-1500 USA & Canada
 FAX: 207-784-0125
 OTHER AREAS CALL: 207-784-0123



DATE: 09/16/04

DRN BY: JWH

CKD BY: SAK

SHT.# ___ OF ___

DWG# 16012-3989

B