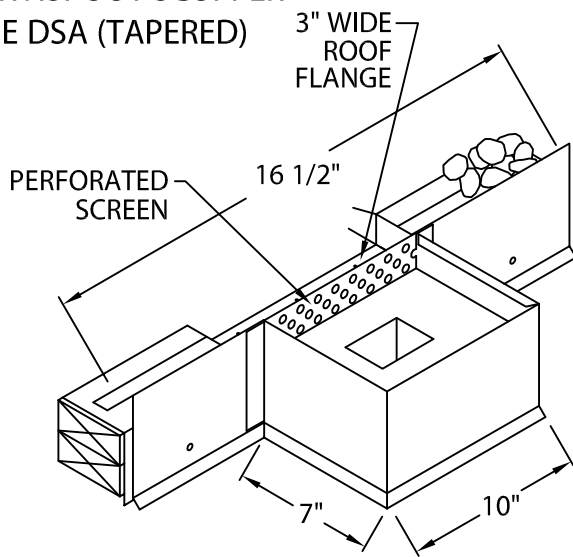


FLEXLOCK FLS ROOF EDGE SCUPPERS

BUILT-UP OR MODIFIED VERSION

SCUPPERS - FACTORY WELDED CONSTRUCTION

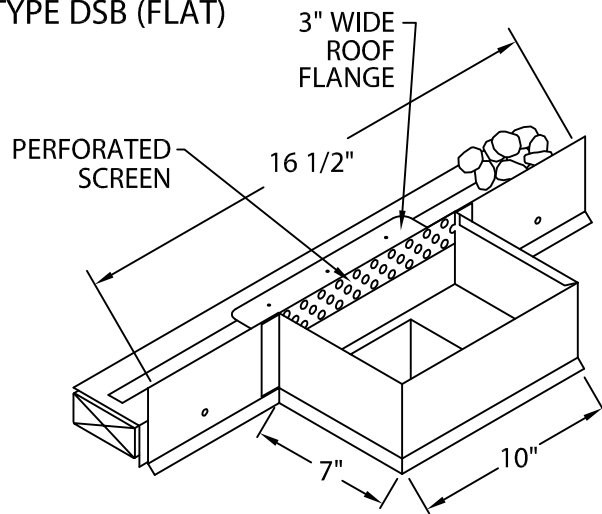
**DOWNSPOUT SCUPPER
TYPE DSA (TAPERED)**



FOR USE WITH TAPERED EDGE STRIP.
FLANGE LOWERED 1 1/2".

NOTE: SPECIFY TUBE SIZE

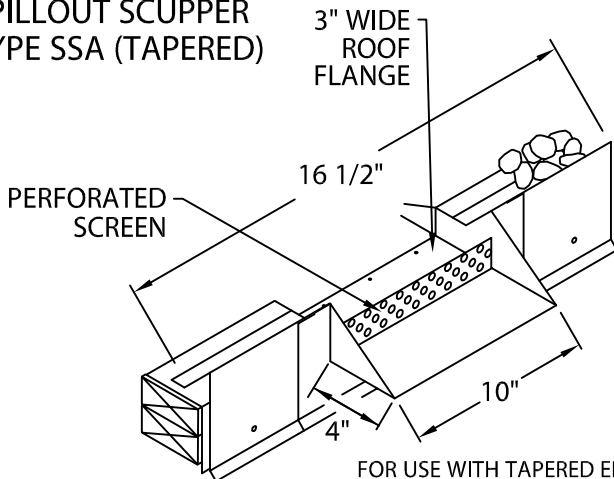
**DOWNSPOUT SCUPPER
TYPE DSB (FLAT)**



FOR USE WITHOUT TAPERED EDGE STRIP.
FLANGE FLUSH MOUNTED WITH ROOF.

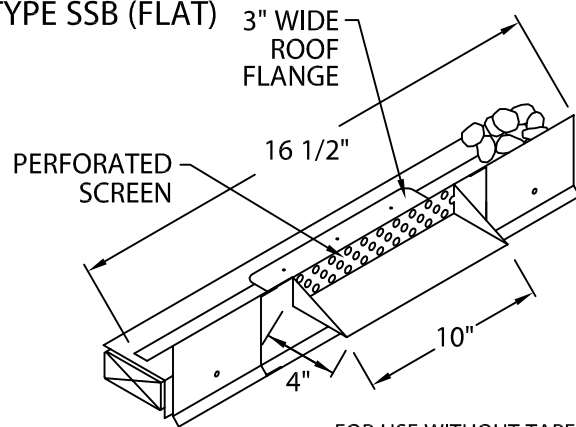
**NOTE:
SPECIFY TUBE SIZE**

**SPILLOUT SCUPPER
TYPE SSA (TAPERED)**



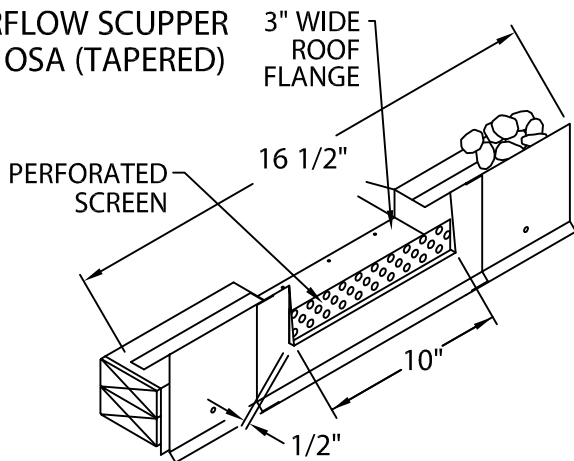
FOR USE WITH TAPERED EDGE STRIP.
FLANGE LOWERED 1 1/2".

**SPILLOUT SCUPPER
TYPE SSB (FLAT)**



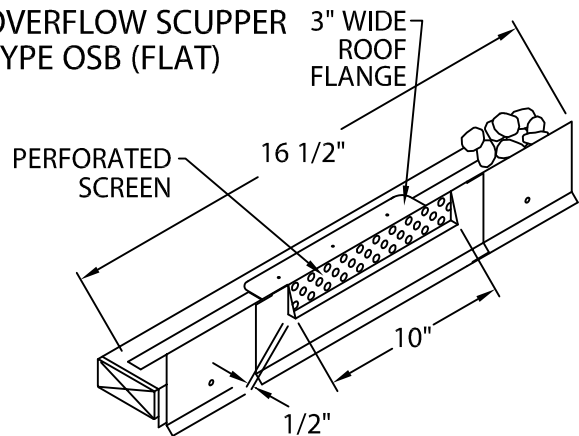
FOR USE WITHOUT TAPERED EDGE STRIP.
FLANGE FLUSH MOUNTED WITH ROOF.

**OVERFLOW SCUPPER
TYPE OSA (TAPERED)**



FOR USE WITH TAPERED EDGE STRIP.
FLANGE LOWERED 1-1/2".

**OVERFLOW SCUPPER
TYPE OSB (FLAT)**



FOR USE WITHOUT TAPERED EDGE STRIP.
FLANGE FLUSH MOUNTED WITH ROOF.

Flex™

Customer Service
Phone: 800-969-0108
Fax: 610-916-9501

DATE: 12/13/10

DRN BY: JJC

CKD BY: SAK

SHT.# ___ OF ___

DWG# 28510-11365

B