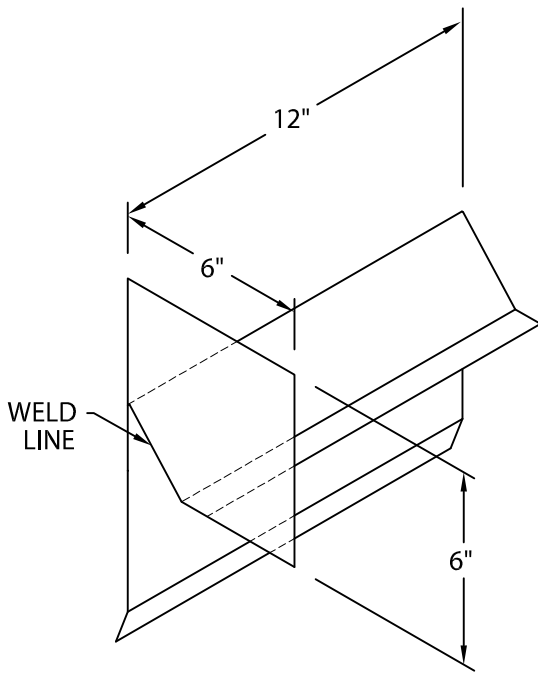


FLEXLOCK FLS ROOF EDGE

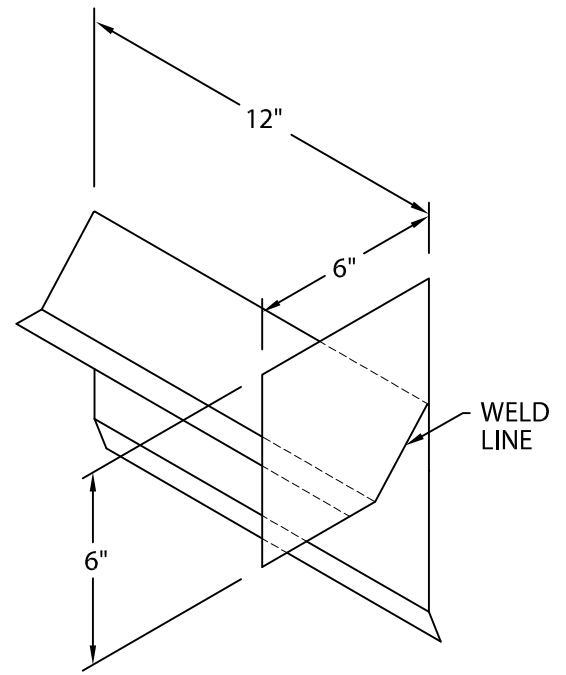
BUILT-UP OR MODIFIED VERSION

TYPICAL FASCIA ENDCAPS AND ENDWALL FLASHING

ENDWALL FLASHING



LEFT ENDWALL

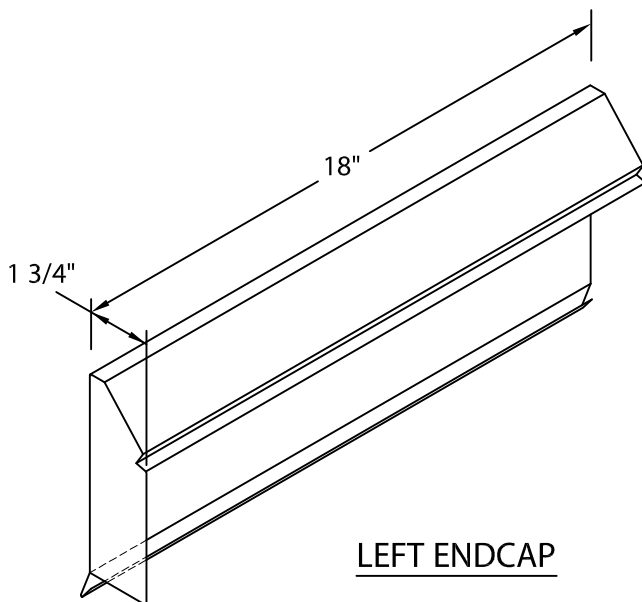


RIGHT ENDWALL

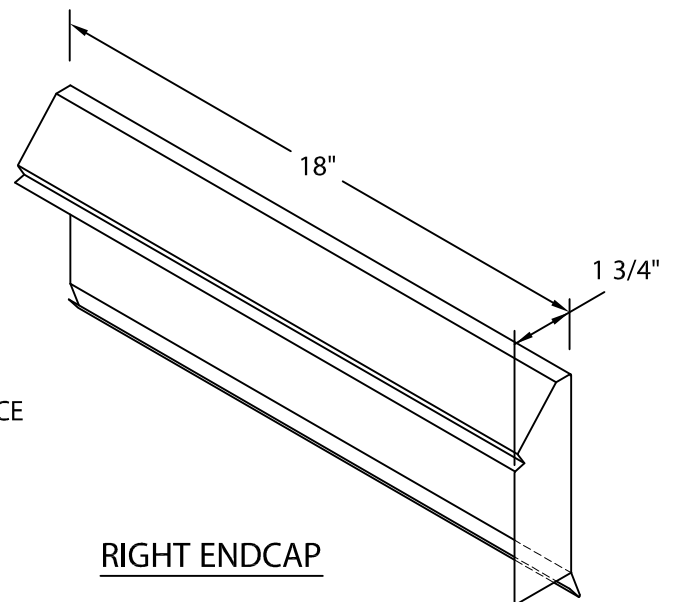
MATERIAL: .050 MILL FINISH

DIRECTION IS DETERMINED AS SEEN FROM ROOF SIDE

FASCIA ENDCAPS



LEFT ENDCAP



RIGHT ENDCAP

FASCIA COVER
INCLUDES SPLICE
PLATES

MATERIAL: SAME AS FASCA COVER

DIRECTION IS DETERMINED AS SEEN FROM ROOF SIDE



Customer Service
Phone: 800-969-0108
Fax: 610-916-9501

DATE: 12/13/10
DRN BY: JJC
CKD BY: SAK

SHT.# ___ OF ___
DWG# 28510-11361

C