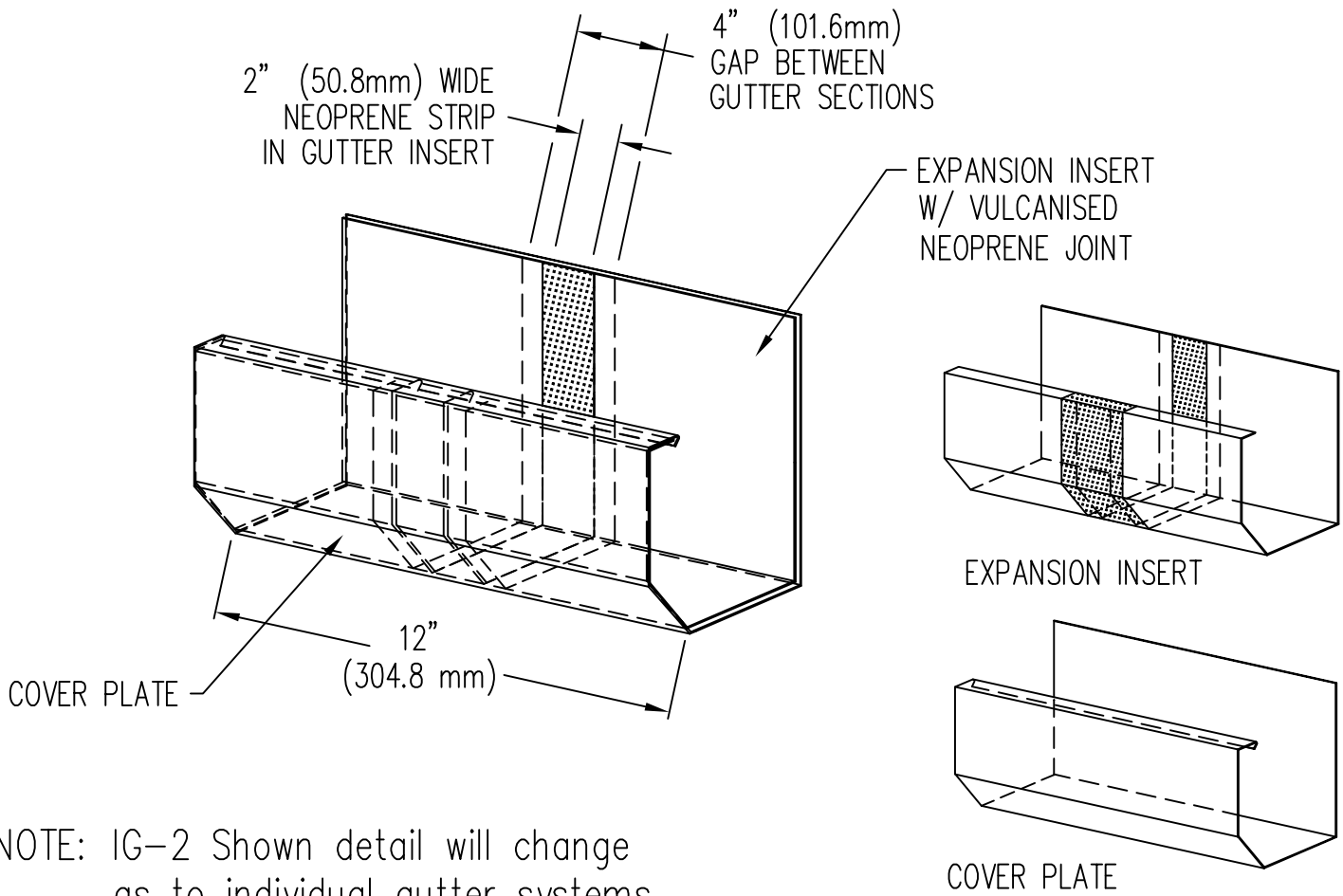


GUTTER EXPANSION JOINT (STYLE 2)

FOR USE OVER BUILDING CONTROL JOINT

FREE FLOW DESIGN



NOTE: IG-2 Shown detail will change as to individual gutter systems

Expansion Joint is to be installed per Specifications and FiberTite Installation Instructions Dwg. # 23112-4211

Fabrication will proceed only after receipt of signed print approval.

Print Approval:

Architect and/or contractor shall verify all dimensions, sizes, and quantities. All products to be installed in strict accordance with FiberTite printed instructions.

Approved by: _____

Date: _____

MATERIAL:

- ___ 24 Ga. (.65 mm) Galv.
- ___ .040" (1.01 mm) Alum. Color: _____
- ___ .050" (1.27 mm) Alum. Finish: _____
- ___ .063" (1.60 mm) Alum.
- ___ OTHER _____

QUANTITIES:

_____ Quantity Required

PROJECT

ARCHITECT

ROOFING CONTRACTOR

REPRESENTATIVE/DISTRIBUTOR

Customer Service

1-800-355-6416



DATE: 09/15/04

DRN BY: JWH

CKD BY: SAK

SHT.# ___ OF ___

DWG# 23012-4212 A