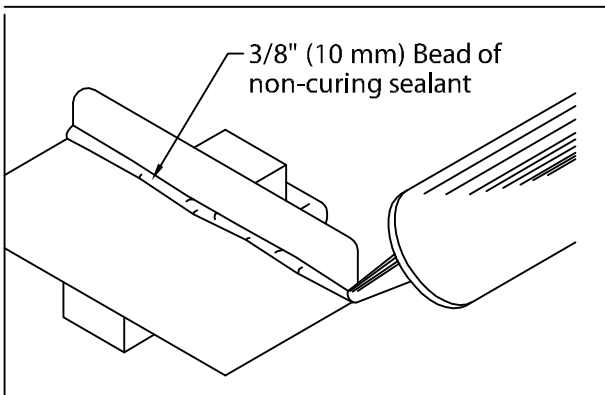


1. Roof Membrane

Position membrane over the roof edge and down outside face of wall, covering treated wood nailer(s) completely. Allow 1/2" (13 mm) excess membrane.

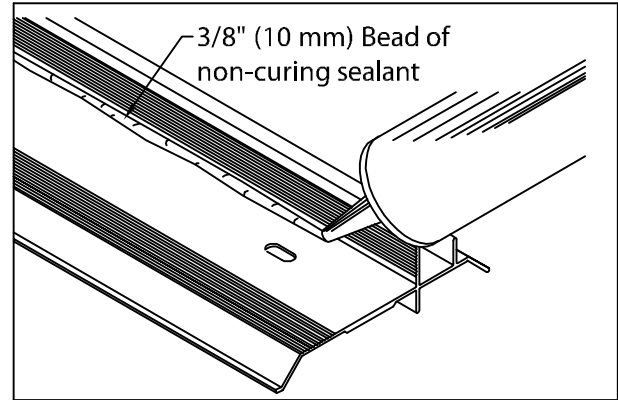
IMPORTANT! Outside edge of treated wood nailer(s) (minimum 2 x 4) shall be aligned flush with or extend slightly past outermost edge of wall.



3. Anchor Bar Splice Plates

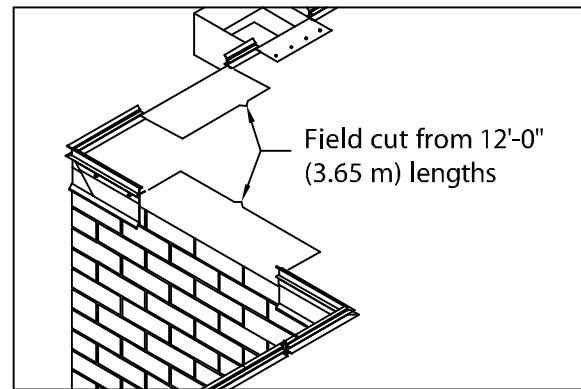
Apply non-curing sealant to each splice plate as shown and described in STEP 2.

CAUTION! Installers shall wear protective eye wear to prevent injury. Do not over-drive fasteners, as stripping can occur at high driver torque. Recommended Driving Tool: 600 - 800 rpm electric drill equipped with depth sensing nosepiece to prevent driving and stripout. Do not use impact type tool.



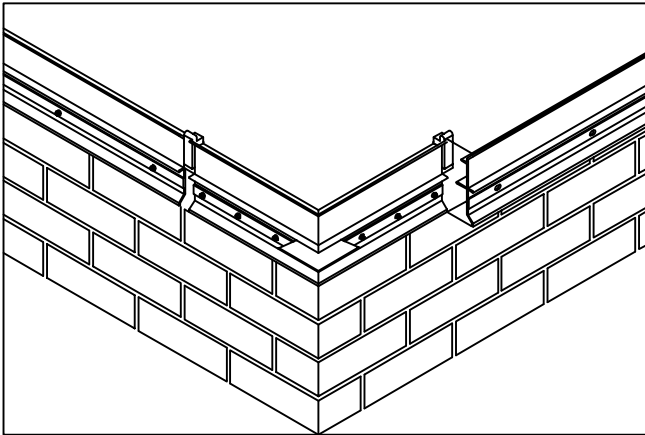
2. Miter & Scupper Bar (Prep)

Lay miters and spill out scuppers on deck with outside face down. Be sure aluminum anchor bar is clean and free of dirt or dust. Apply a heavy 3/8" (10 mm) bead of non-curing sealant to the right angle intersection of the deck flange and back of anchor bar as shown. Application of sealant is required along the full length of each miter anchor bar.



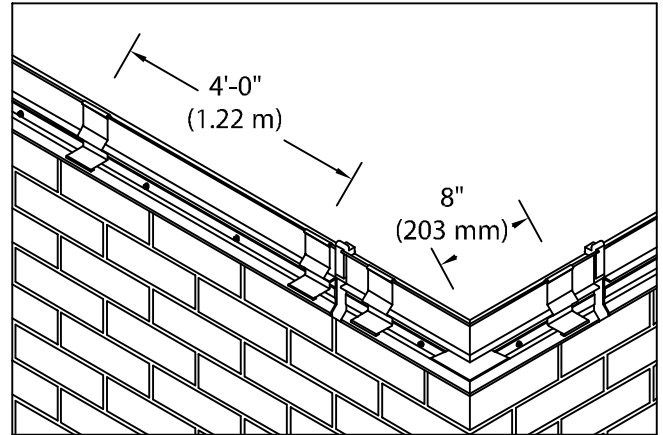
4. Miter Bar Installation

Fold roofing membrane at corners and install miters using 2" (51 mm) hex head stainless steel fasteners and driver bit furnished by Metal-Era. Fasten anchor bar corners to nailer with one splice plate under each end of corner. The sponge gasket must be snug to ends of anchor bar. Next locate and install spill outs and scuppers with sealant, 2" (51 mm) fasteners and splice plates.



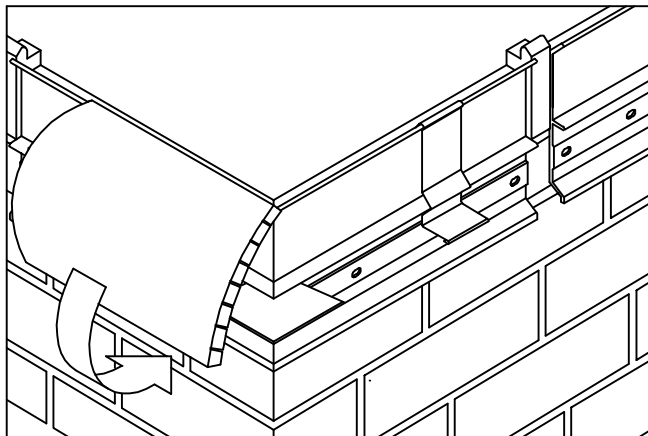
5. Anchor Bar (Installation)

Position 12'-0" (3.65 m) sections of anchor bar with applied non-curing sealant as shown in steps 2 & 3 overlapping splice plate and butting snugly into gasket. Allow 1/2" (13 mm) space between anchor bars. Install splice plate at other end of 12'-0" (3.65 m) bar. Fasten anchor bar 12" (305 mm) O.C. through slots using 1 5/8" (41 mm) corrosion resistant fasteners provided. Field cut sections as necessary.



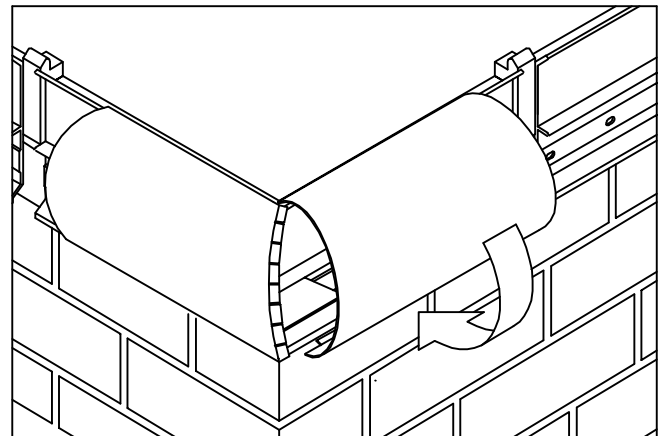
6. Support Clips

At miter sections, position support clips over anchor bar 8" (203 mm) from corner. Along straight runs, position support clips at each end of 12'-0" (3.65 m) anchor bar and 4'-0" (1.22 m) O.C. between.



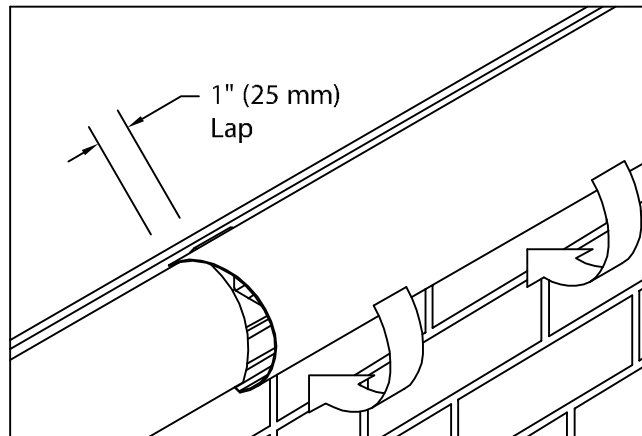
7. Miter Cover (Right Half)

Install right (tabbed) half of miter cover first. Place miter cover half over anchor bar with the face angled up to allow enough clearance past the support clip. Rotate cover into place. Engage cover to anchor bar by applying slight downward and inward pressure with palm of hand.



8. Miter Cover (Left Half)

Next, install left half of miter cover. Place miter cover half over anchor bar with the face angled up to allow enough clearance past the support clip. Rotate cover into place. Engage cover to anchor bar by applying slight downward and inward pressure with palm of hand.



9. Fascia Covers

Place 4'-0" (1.22 m) fascia cover over anchor bar with the face angled up to allow enough clearance past the support clip. Rotate cover into place. Engage cover to anchor bar by applying slight downward and inward pressure with palm of hand.

Continue installation by overlapping preceding cover approximately 1" (25 mm) at notches provided. Fascia covers shall be installed from right to left as seen from rooftop. Where field cutting is necessary, use a fine tooth hacksaw.

IMPORTANT! Be sure to remove protective plastic film prior to installing each fascia section.

