

# ELEVATE GUTTER APRON

PVC OR TPO VERSION WITHOUT CONTINUOUS CLEAT

NOTE: INSTALL MITERS FIRST

INSTALLATION INSTRUCTIONS

**1. ROOF MEMBRANE**

POSITION MEMBRANE OVER THE ROOF EDGE AND DOWN OUTSIDE FACE OF WALL, COVERING WOOD NAILER(S) COMPLETELY. ALLOW  $\frac{1}{2}$ " EXCESS MEMBRANE.

**2. DRIP EDGE**

PLACE DRIP EDGE ON WALL. FASTEN THRU PRE-SLOTTED HOLES 6" WITH APPROPRIATE FASTENERS FOR SUBSTRATE.

**3. DRIP EDGE**

CONTINUE INSTALLING DRIP EDGE. LEAVE A  $\frac{1}{8}$ " TO  $\frac{1}{4}$ " SPACE BETWEEN PIECES.

**4. STRIP-IN MEMBRANE**

HOT AIR WELD STRIP-IN MEMBRANE ALONG ENTIRE LENGTH OF DRIP EDGE PER MANUFACTURERS INSTRUCTIONS.

**5. FOIL TAPE AT JOINT**

PLACE A 3" WIDE PIECE OF FOIL TAPE OVER JOINT.

**6. JOINT MEMBRANE**

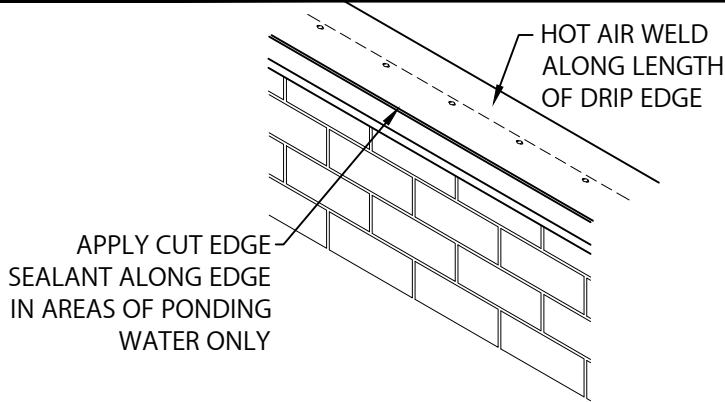
HEAT WELD A 6" WIDE PIECE OF NON-REINFORCED MEMBRANE OVER JOINT AS SHOWN ABOVE.

# ELEVATE GUTTER APRON

PVC OR TPO VERSION WITHOUT CONTINUOUS CLEAT

NOTE: INSTALL MITERS FIRST

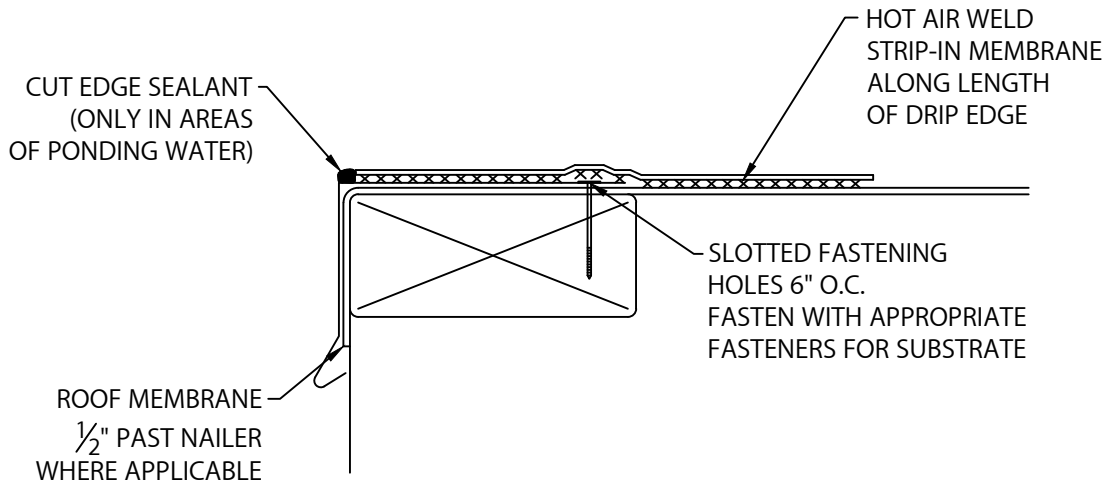
INSTALLATION INSTRUCTIONS



## 7. FLASHING

APPLY CUT EDGE SEALANT ONLY TO EDGES WHERE PONDING OCCURS.

## TYPICAL INSTALLATION



ELEVATE  
26 CENTURY BLVD.  
SUITE 205  
NASHVILLE, TN 37214

CONTACT YOUR LOCAL ELEVATE REPRESENTATIVE

DATE: 04/21/23

DRN BY: MLM

CKD BY: MM

SHT.# 2 OF 2

DWG# 13112-24731

B