

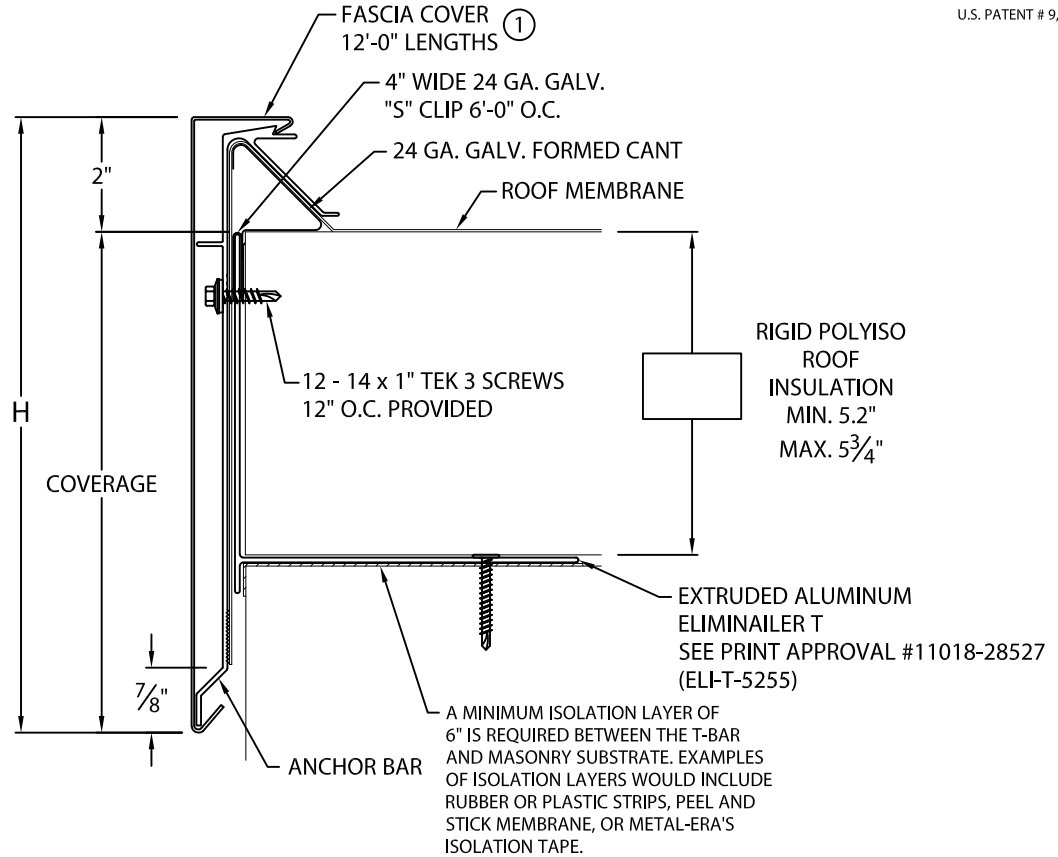


ANCHOR-TITE CANTED FOR USE WITH ELIMINAILER®-T

5.2", 5.5" FLANGE ELIMINAILER VERSION

FOR USE WITH MASONRY WALL

U.S. PATENT # 9,878,023 B1



NOTES:

① FASCIA COVER PROVIDED WITH 3 1/2" WIDE SPLICE PLATES.

ANCHOR-TITE CANTED DIMENSIONS

PRODUCT ID. NO.	H DIM	COVERAGE
<input type="checkbox"/> T-AEFC-100	10"	8"

Fabrication will proceed only after receipt of signed print approval.

Print Approval:

Architect and/or contractor shall verify all dimensions, sizes and quantities. All products to be installed in strict accordance with Metal-Era's printed instructions.

Approved by: _____

Date: _____

CANTED COVER MATERIAL:

- ___ 22 GA. GALVANIZED STEEL
- ___ .050" ALUMINUM
- ___ .063" ALUMINUM
- ___ OTHER _____

COLOR: _____ FINISH: _____

QUANTITIES:

- ___ LINEAL FEET 12'-0" LENGTHS
- ___ OUTSIDE MITER(S) @ 90°
- ___ INSIDE MITER(S) @ 90°
- ___ OVERFLOW SCUPPER(S) STYLE ___A___B
- ___ SPILLOUT SCUPPER(S) STYLE ___A___B
- ___ DOWNSPOUT(S) STYLE ___A___B (___x___) DOWNSPOUT SIZE
A: TAPERED 1 1/2" DROP B: FLAT

FOR NON-90 MITERS SEE PRINT APPROVAL #11010-1103

PROJECT:

ARCHITECT:

ROOFING CONTRACTOR:

REPRESENTATIVE/DISTRIBUTOR:

Corporate Offices, Manufacturing
1600 Airport Road; Waukesha, WI 53188
Phone: 800-558-2162
Fax: 800-373-9156
www.metalera.com



DATE: 08/29/18

DRN BY: JJC

CKD BY: SAK

SHT.# ___ OF ___

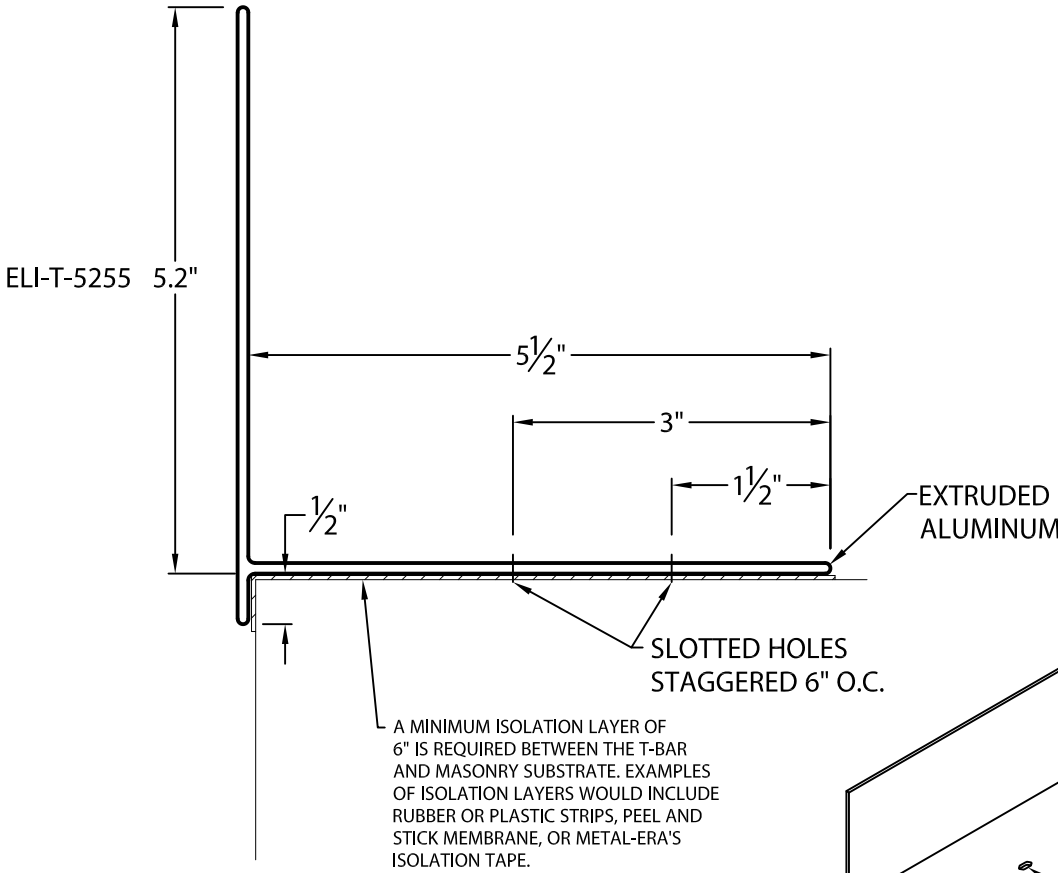
DWG# 11010-29087

B

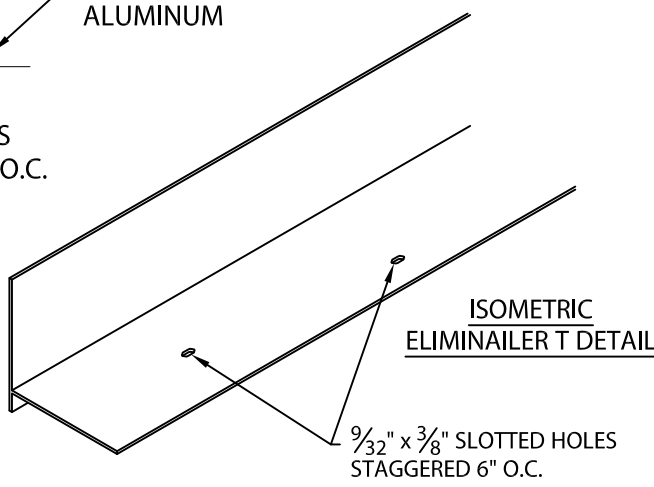
ELIMINAILER®-T

FOR USE WITH MASONRY WALL, 5.2", 5.5" FLANGE VERSION

U.S. PATENT # 9,878,023 B1



A MINIMUM ISOLATION LAYER OF 6" IS REQUIRED BETWEEN THE T-BAR AND MASONRY SUBSTRATE. EXAMPLES OF ISOLATION LAYERS WOULD INCLUDE RUBBER OR PLASTIC STRIPS, PEEL AND STICK MEMBRANE, OR METAL-ERA'S ISOLATION TAPE.



Fabrication will proceed only after receipt of signed print approval.

Print Approval:

Architect and/or contractor shall verify all dimensions, sizes and quantities. All products to be installed in strict accordance with Metal-Era's printed instructions.

Approved by: _____
 Date: _____

PLEASE INDICATE SUBSTRATE (IF SUBSTRATE INFORMATION IS NOT GIVEN, CONCRETE WALL FASTENERS WILL BE PROVIDED)

- CONCRETE WALL (3000 PSI CONCRETE):
 #14 x 1 1/4" FASTENERS PROVIDED
- CMU WALL (1500 PSI):
 1/4" x 1 1/2" SPIKE FASTENERS PROVIDED

QUANTITIES:

_____ LINEAL FEET 12'-0" LENGTHS
 _____ ROLLS ISOLATION TAPE 6" WIDE (180 FT PER ROLL)

PROJECT:
 ARCHITECT:
 ROOFING CONTRACTOR:
 REPRESENTATIVE/DISTRIBUTOR:

Corporate Offices, Manufacturing
 1600 Airport Road; Waukesha, WI 53188
 Phone: 800-558-2162
 Fax: 800-373-9156
 www.metalera.com



DATE: 08/29/18
 DRN BY: JJC
 CKD BY: SAK
 SHT.# ____ OF ____
 DWG# 11018-28527

B