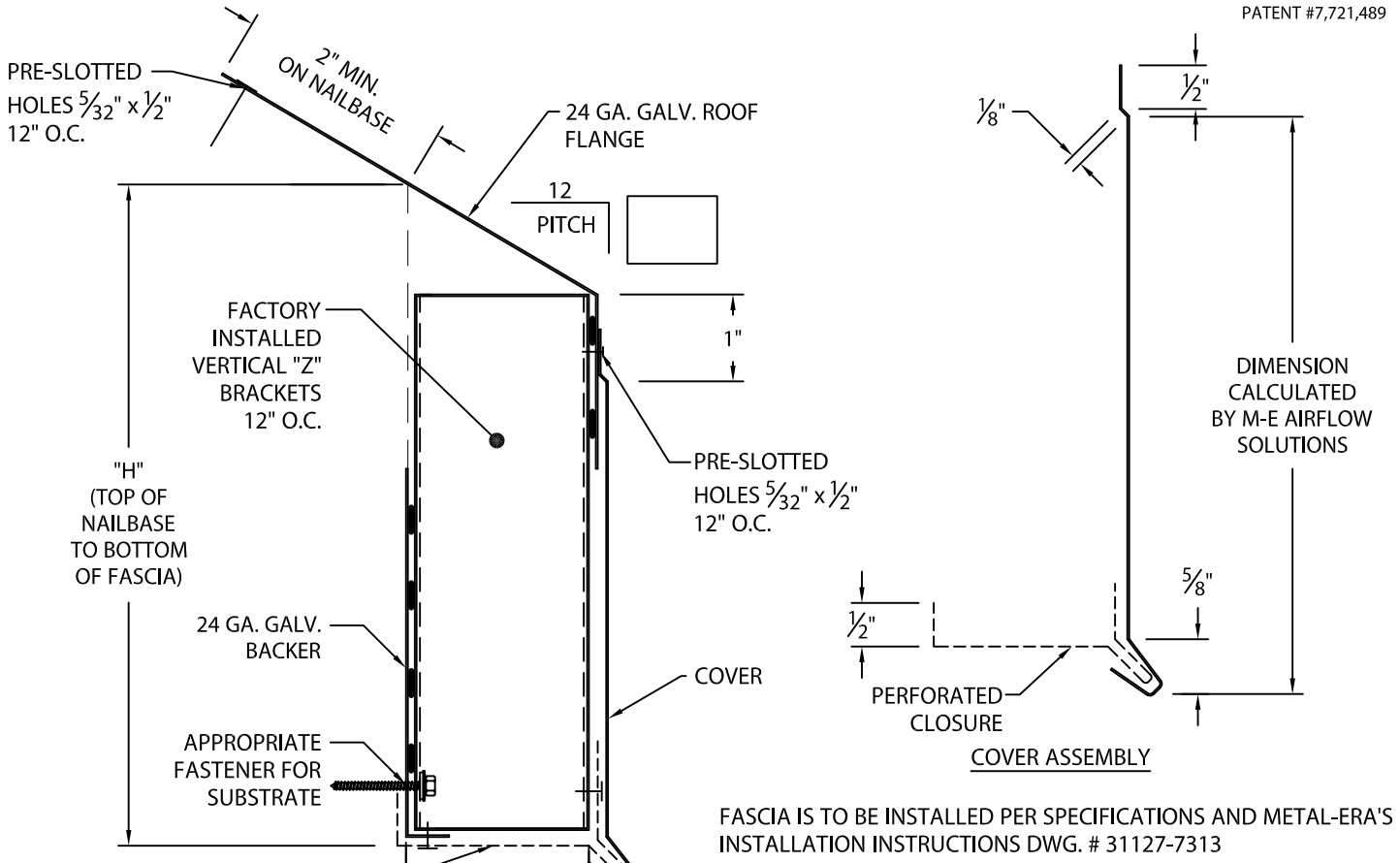


REFERENCE DETAIL:

HI-PERF VENTED FASCIA

VENTED NAILBASE VERSION

PATENT #7,721,489



FASCIA IS TO BE INSTALLED PER SPECIFICATIONS AND METAL-ERA'S INSTALLATION INSTRUCTIONS DWG. # 31127-7313

NOTES: ALL FASTENERS BY OTHERS (SEE INSTALLATION INSTRUCTIONS FOR RECOMMENDATIONS)
 PERFORATED CLOSURE AND COVER SHIPPED LOOSE
 *RECOMMEND TWICE THE AIR SPACE - CONSULT METAL-ERA AIRFLOW HI-PERF VENTED FASCIA IS NOT INTENDED FOR ATTACHMENT TO OPEN ENDED METAL TRUSS OR METAL BAR JOIST APPLICATIONS.

"H" DIMENSION:

6" COVERAGE 8" COVERAGE 10" COVERAGE

12" COVERAGE 14" COVERAGE 16" COVERAGE

OTHER: _____

Fabrication will proceed only after receipt of signed print approval.

Print Approval:
 Architect and/or contractor shall verify all dimensions, sizes and quantities. All products to be installed in strict accordance with Metal-Era's printed instructions.

Approved by: _____

Date: _____

COVER:

24 GA. GALVANIZED STEEL 22 GA. GALVANIZED STEEL

.040" ALUMINUM .050" ALUMINUM

.063" ALUMINUM OTHER _____

COLOR: _____ FINISH: _____

PERFORATED CLOSURE:

24 GA. GALVANIZED STEEL BONE WHITE 24 GA. GALVANIZED STEEL DARK BRONZE

24 GA. GALVANIZED STEEL SANDSTONE 24 GA. GALVANIZED STEEL SLATE GRAY

QUANTITIES:

_____ LINEAL FEET (12'-0" LENGTHS)

_____ EAVE TO EAVE OUTSIDE MITERS @ 90°

_____ EAVE TO EAVE INSIDE MITERS @ 90°

_____ RIGHT HAND PLUG STYLE ENDCAPS

_____ LEFT HAND PLUG STYLE ENDCAPS

FOR NON-90° EAVE TO EAVE OUTSIDE MITERS SEE PRINT APPROVAL #31018-7531
 FOR NON-90° EAVE TO EAVE INSIDE MITERS SEE PRINT APPROVAL #31018-7530
 FOR EAVE TO RAKE OUTSIDE MITERS SEE PRINT APPROVAL #31018-7525
 FOR EAVE TO RAKE INSIDE MITERS SEE PRINT APPROVAL #31018-7524

PROJECT: _____

ARCHITECT: _____

CONTRACTOR: _____

REPRESENTATIVE: _____

METAL-ERA
 Airflow Solutions

Phone: 800-558-2162
 Fax: 800-770-3934
 www.metalera.com

DATE: 02/21/19 SHT.# ____ OF ____

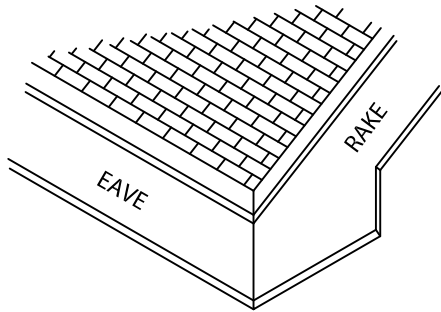
DRN BY: JJC

CKD BY: SAK DWG# 31027-7029

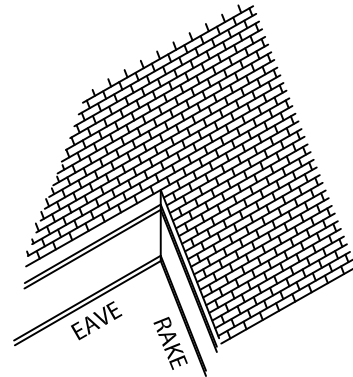
G

HI-PERF VENTED FASCIA

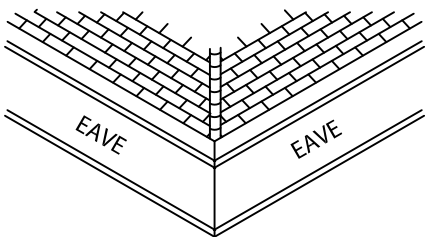
VENTED FASCIA STANDARD ACCESSORIES



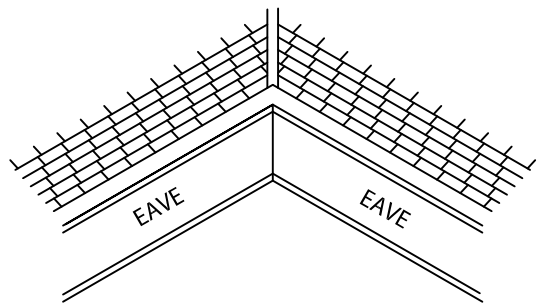
OUTSIDE EAVE TO RAKE MITER
RIGHT HAND MITER SHOWN
SEE PRINT APPROVAL #31018-7525



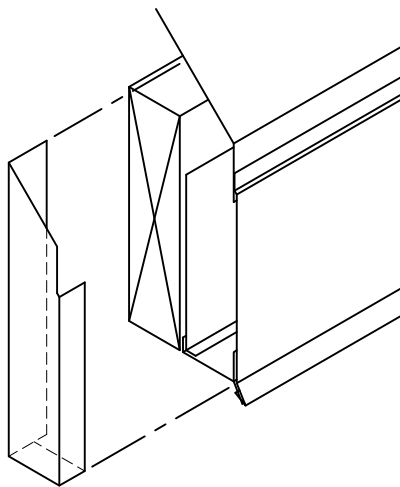
INSIDE EAVE TO RAKE MITER
RIGHT HAND MITER SHOWN
SEE PRINT APPROVAL #31018-7524



OUTSIDE EAVE TO EAVE MITER
RIGHT HAND MITER SHOWN



INSIDE EAVE TO EAVE MITER
RIGHT HAND MITER SHOWN



PLUG STYLE ENDCAP
LEFT HAND ENDCAP SHOWN



Phone: 800-558-2162
Fax: 800-770-3934
www.metalera.com

DATE: 02/21/19

SHT.# ___ OF ___

DRN BY: JJC

CKD BY: SAK

DWG# 31027-7029

G