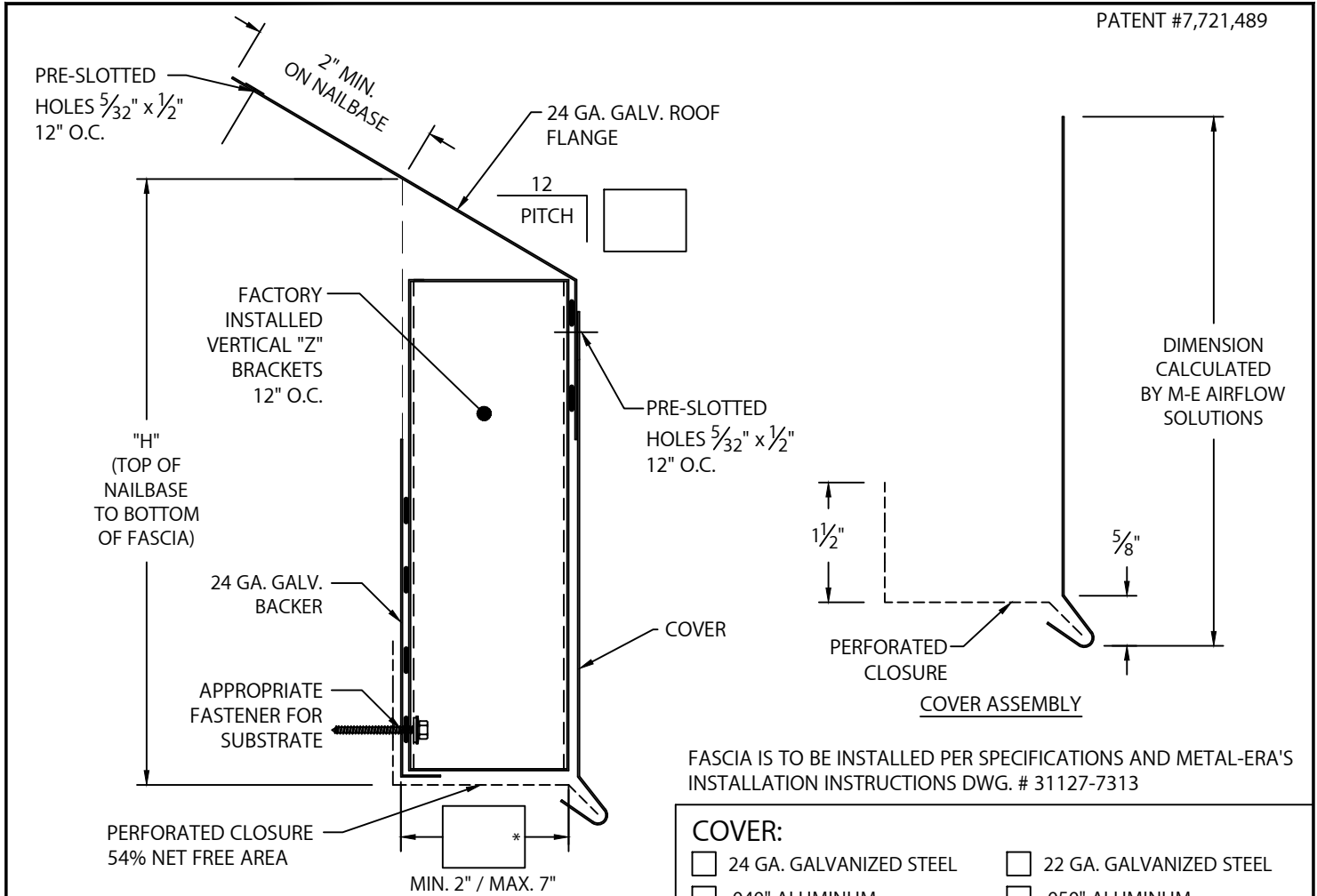


REFERENCE DETAIL:

HI-PERF VENTED FASCIA

VENTED NAILBASE VERSION

PATENT #7,721,489



FASCIA IS TO BE INSTALLED PER SPECIFICATIONS AND METAL-ERA'S INSTALLATION INSTRUCTIONS DWG. # 31127-7313

NOTES: ALL FASTENERS BY OTHERS (SEE INSTALLATION INSTRUCTIONS FOR RECOMMENDATIONS)
 COVER SHIPPED LOOSE
 *RECOMMEND TWICE THE AIR SPACE - CONSULT METAL-ERA AIRFLOW
 HI-PERF VENTED FASCIA IS NOT INTENDED FOR ATTACHMENT TO OPEN ENDED METAL TRUSS OR METAL BAR JOIST APPLICATIONS.

COVER:

- | | |
|--|--|
| <input type="checkbox"/> 24 GA. GALVANIZED STEEL | <input type="checkbox"/> 22 GA. GALVANIZED STEEL |
| <input type="checkbox"/> .040" ALUMINUM | <input type="checkbox"/> .050" ALUMINUM |
| <input type="checkbox"/> .063" ALUMINUM | <input type="checkbox"/> OTHER _____ |

COLOR: _____ FINISH: _____

PERFORATED CLOSURE:

- | | |
|---|--|
| <input type="checkbox"/> 24 GA. GALVANIZED STEEL BONE WHITE | <input type="checkbox"/> 24 GA. GALVANIZED STEEL DARK BRONZE |
| <input type="checkbox"/> 24 GA. GALVANIZED STEEL SANDSTONE | <input type="checkbox"/> 24 GA. GALVANIZED STEEL SLATE GRAY |

QUANTITIES:

- _____ LINEAL FEET (12'-0" LENGTHS)
- _____ EAVE TO EAVE OUTSIDE MITERS @ 90°
- _____ EAVE TO EAVE INSIDE MITERS @ 90°
- _____ RIGHT HAND PLUG STYLE ENDCAPS
- _____ LEFT HAND PLUG STYLE ENDCAPS

FOR NON-90° EAVE TO EAVE OUTSIDE MITERS SEE PRINT APPROVAL #31018-7531
 FOR NON-90° EAVE TO EAVE INSIDE MITERS SEE PRINT APPROVAL #31018-7530
 FOR EAVE TO RAKE OUTSIDE MITERS SEE PRINT APPROVAL #31018-7525
 FOR EAVE TO RAKE INSIDE MITERS SEE PRINT APPROVAL #31018-7524

"H" DIMENSION:

- | | | |
|---------------------------------------|---------------------------------------|---------------------------------------|
| <input type="checkbox"/> 6" COVERAGE | <input type="checkbox"/> 8" COVERAGE | <input type="checkbox"/> 10" COVERAGE |
| <input type="checkbox"/> 12" COVERAGE | <input type="checkbox"/> 14" COVERAGE | <input type="checkbox"/> 16" COVERAGE |
| <input type="checkbox"/> OTHER: _____ | | |

Fabrication will proceed only after receipt of signed print approval.

Print Approval:

Architect and/or contractor shall verify all dimensions, sizes and quantities. All products to be installed in strict accordance with Metal-Era's printed instructions.

Approved by: _____

Date: _____

PROJECT:

ARCHITECT:

CONTRACTOR:

REPRESENTATIVE:



Phone: 800-558-2162
 Fax: 800-770-3934
 www.metalera.com

DATE: 08/24/22

DRN BY: MLM

CKD BY: MM

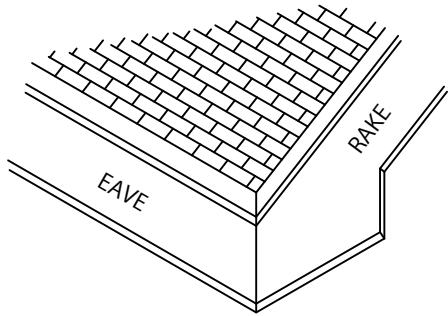
SHT.# ___ OF ___

DWG# 31027-7029

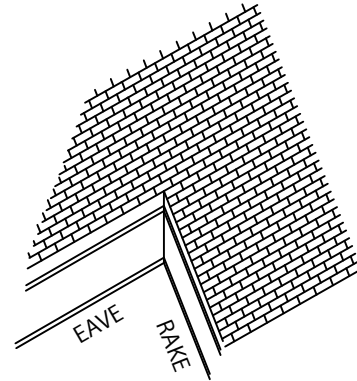
H

HI-PERF VENTED FASCIA

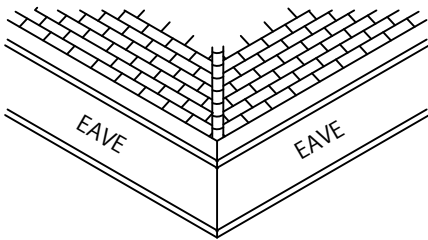
VENTED FASCIA STANDARD ACCESSORIES



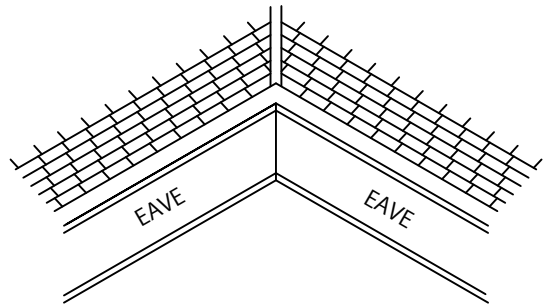
OUTSIDE EAVE TO RAKE MITER
RIGHT HAND MITER SHOWN
SEE PRINT APPROVAL #31018-7525



INSIDE EAVE TO RAKE MITER
RIGHT HAND MITER SHOWN
SEE PRINT APPROVAL #31018-7524

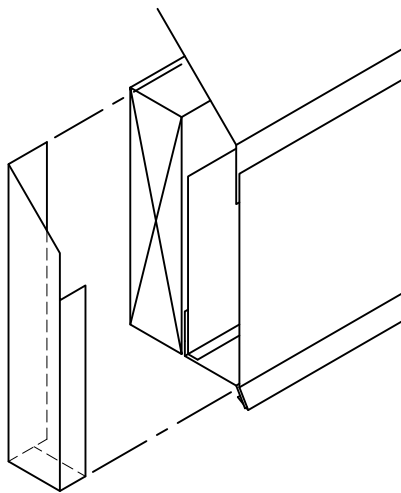


OUTSIDE EAVE TO EAVE MITER
RIGHT HAND MITER SHOWN



INSIDE EAVE TO EAVE MITER
RIGHT HAND MITER SHOWN

PLUG STYLE ENDCAP
LEFT HAND ENDCAP SHOWN



Phone: 800-558-2162
Fax: 800-770-3934
www.metalera.com

DATE: 08/24/22

SHT.# ___ OF ___

DRN BY: MLM

CKD BY: MM

DWG# 31027-7029

H