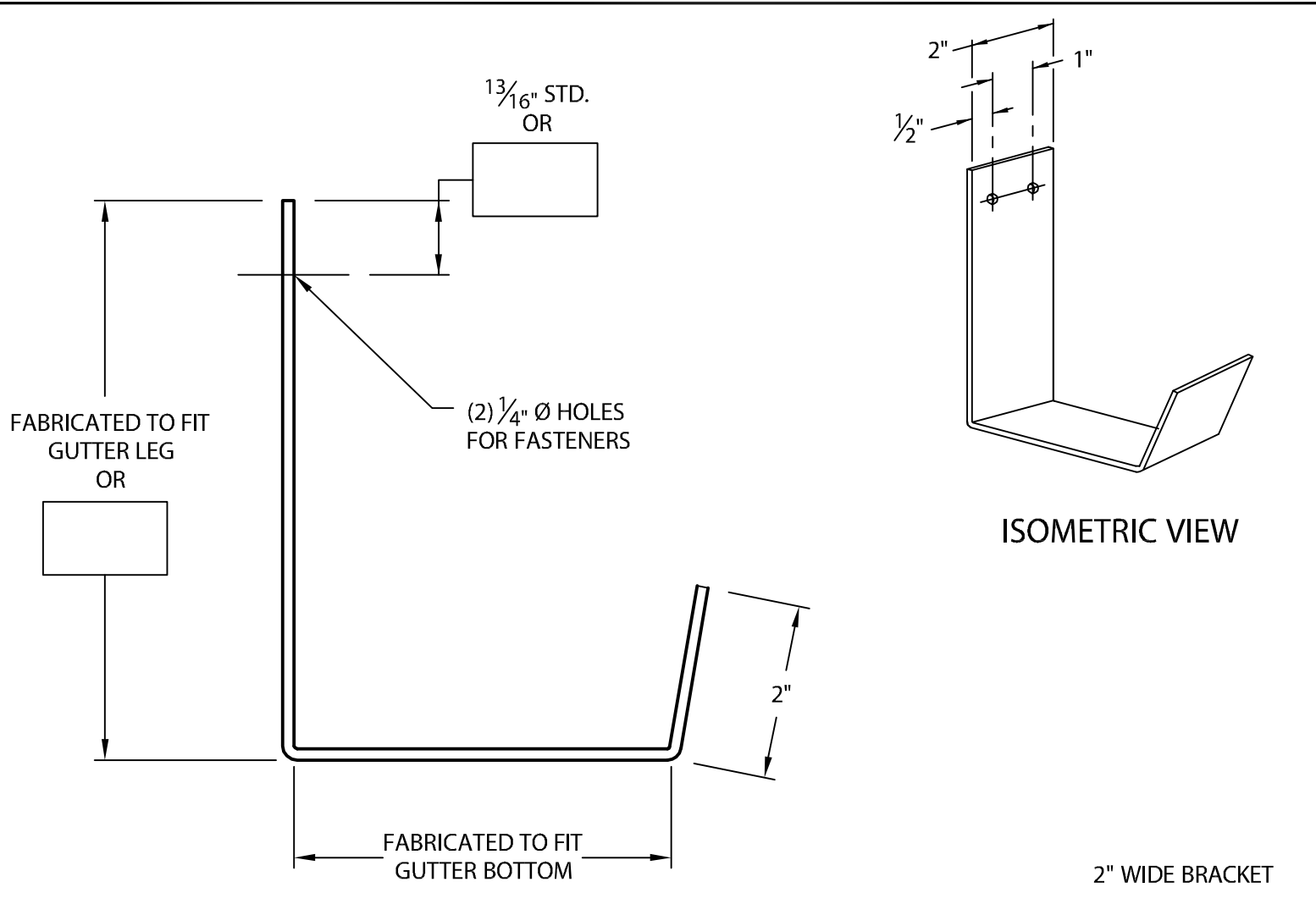


# SEAL-TITE INDUSTRIAL EXTERNAL GUTTER BRACKET

IG-3 VERSION



Fabrication will proceed only after receipt of signed print approval.

## Print Approval:

Architect and/or contractor shall verify all dimensions, sizes and quantities. All products to be installed in strict accordance with Metal-Era's printed instructions.

Approved by: \_\_\_\_\_  
 Date: \_\_\_\_\_

### MATERIAL:

.125" ALUMINUM  
 COLOR: \_\_\_\_\_  
 FINISH: \_\_\_\_\_

### QUANTITIES:

\_\_\_\_\_ AMOUNT REQUIRED\*

\*QUANTITIES OVER 200 REQUIRE AN EXTENDED LEAD TIME DUE TO POST COATING PROCESS.

PROJECT: \_\_\_\_\_  
 ARCHITECT: \_\_\_\_\_  
 ROOFING CONTRACTOR: \_\_\_\_\_  
 REPRESENTATIVE/DISTRIBUTOR: \_\_\_\_\_

Corporate Offices, Manufacturing  
 1600 Airport Road; Waukesha, WI 53188  
 Phone: 800-558-2162  
 Fax: 800-373-9156  
 www.metalera.com



DATE: 02/06/17  
 DRN BY: JJC  
 CKD BY: SAK  
 SHT.# \_\_\_\_ OF \_\_\_\_  
 DWG# 11012-25582 **A**