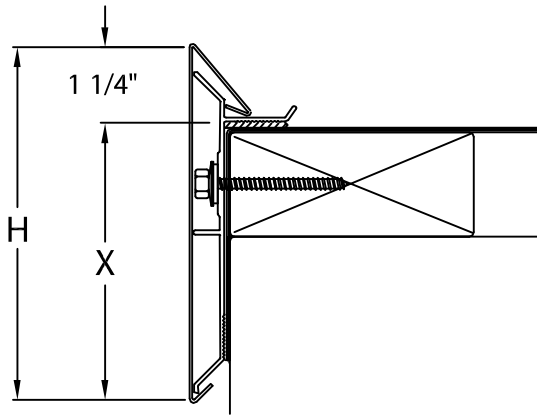
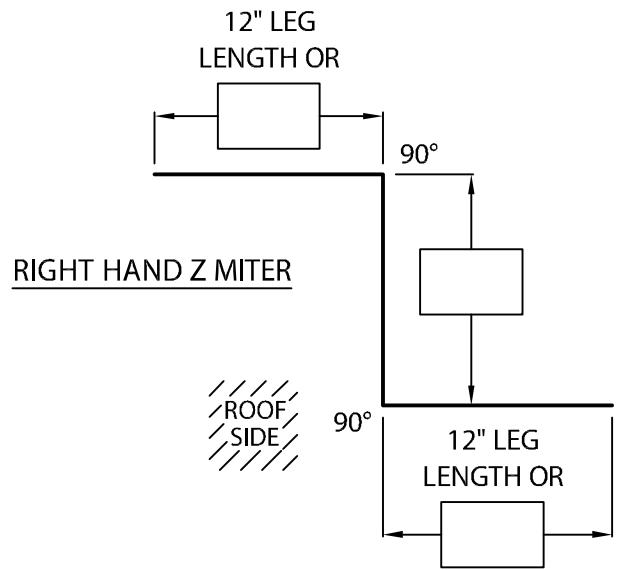
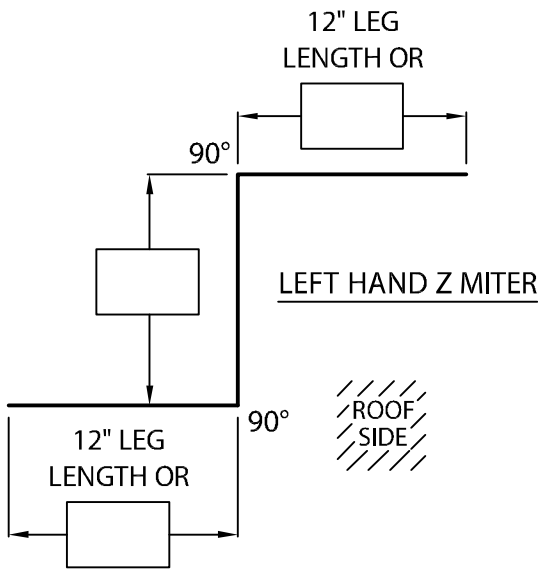


ANCHOR-TITE STANDARD FASCIA "Z" MITERS

FULLY ADHERED OR MECHANICALLY ATTACHED SINGLE-PLY VERSION



- STANDARD LEG DIMENSION FOR ANCHOR BAR IS 12".
- ANCHOR BAR MITER IS WELDED AND MADE IN ONE PART.
- STANDARD LEG DIMENSION FOR FASCIA COVER IS 15".
- FASCIA COVER IS MADE IN THREE PARTS.



Fabrication will proceed only after receipt of signed print approval.

Print Approval:

Architect and/or contractor shall verify all dimensions, sizes and quantities. All products to be installed in strict accordance with Metal-Era's printed instructions.

Approved by: _____

Date: _____

ANCHOR-TITE STANDARD FASCIA DIMENSIONS

PRODUCT ID. NO.	H DIM	X DIM	NAILER COVERAGE
<input type="checkbox"/> AF-40	4" (102 mm)	2 3/4" (70 mm)	1 NAILER
<input type="checkbox"/> AF-55	5 1/2" (140 mm)	4 1/4" (108 mm)	2 NAILERS
<input type="checkbox"/> AF-70	7" (178 mm)	5 3/4" (146 mm)	3 NAILERS
<input type="checkbox"/> AF-85	8 1/2" (216 mm)	7 1/4" (184 mm)	4 NAILERS

MATERIAL:

___ 24 Ga. (.65 mm) Galv. Color: _____
 ___ .040" (1.01 mm) Alum. Finish: _____

QUANTITIES:

___ Right Hand "Z" Miter(s)
 ___ Left Hand "Z" Miter(s)

PROJECT:

ARCHITECT:

ROOFING CONTRACTOR:

REPRESENTATIVE/DISTRIBUTOR:

Corporate Offices, Manufacturing
 1600 Airport Road; Waukesha, WI 53188
 Phone: 800-558-2162
 Fax: 800-373-9156
 www.metalera.com



DATE: 05/21/13

DRN BY: JJC

CKD BY: SAK

SHT.# ____ OF ____

DWG# 11010-5701

D