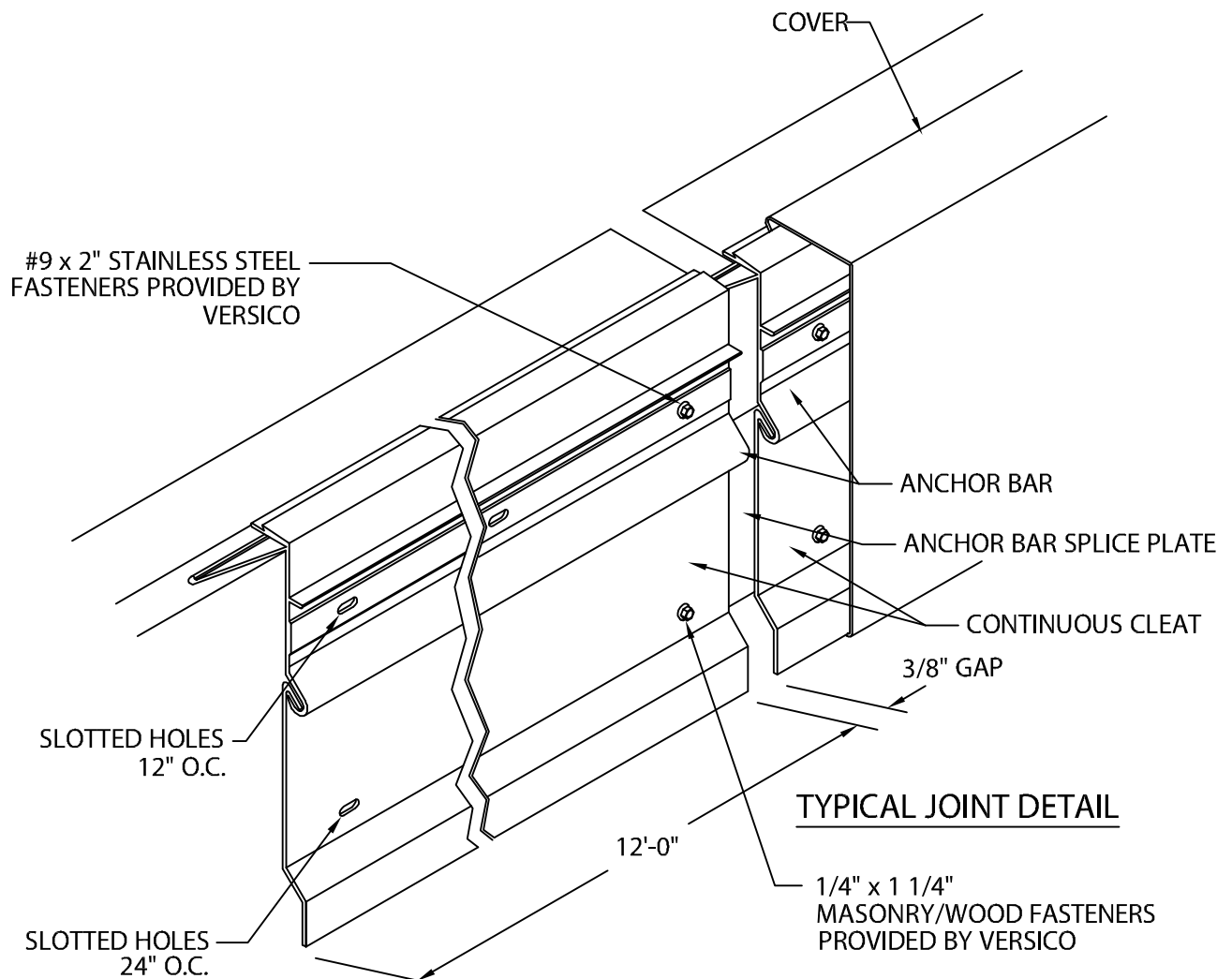
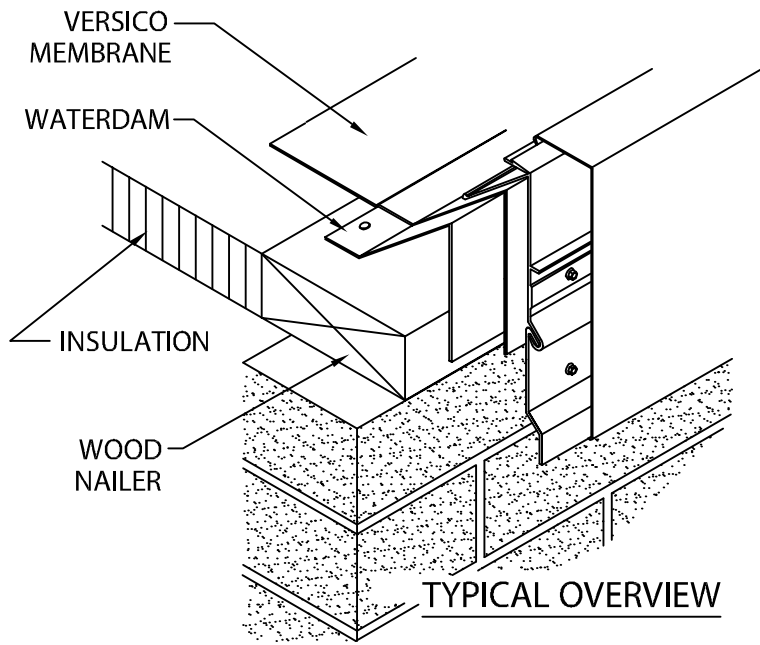




VERSITRIM 2000 EXTENDED CANTED FASCIA

GALVANIZED WATERDAM VERSION

DETAILS



Customer Service
800-558-2162

DATE: 03/04/17
DRN BY: JJC
CKD BY: SAK

SHT.# ___ OF ___

DWG# 18510-2087

