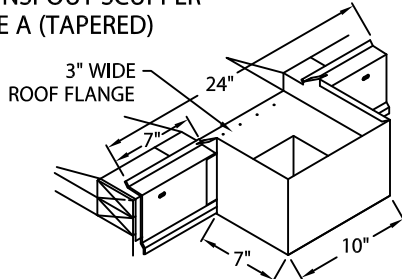
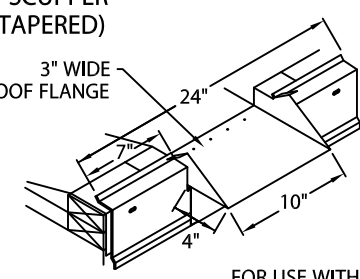
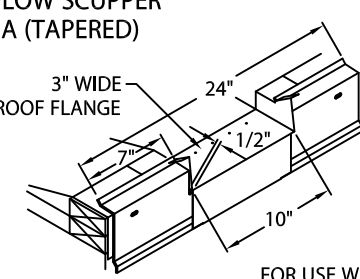
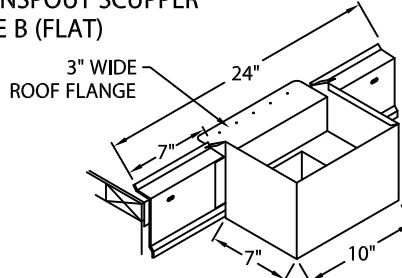
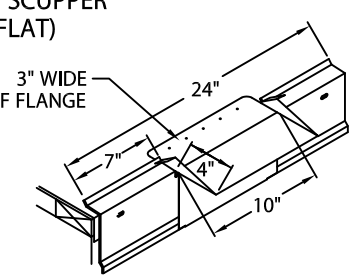
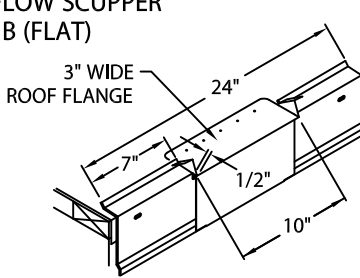


ELEVATE SP RAIL FASCIA SCUPPERS

FULLY ADHERED OR MECHANICALLY ATTACHED SINGLE-PLY VERSION

SCUPPERS - FACTORY WELDED CONSTRUCTION

<p>DOWNSPOUT SCUPPER STYLE A (TAPERED)</p>  <p>NOTE: SPECIFY TUBE SIZE FOR USE WITH TAPERED EDGE STRIP FLANGE LOWERED 1 1/2"</p>	<p>SPILLOUT SCUPPER STYLE A (TAPERED)</p>  <p>FOR USE WITH TAPERED EDGE STRIP. FLANGE LOWERED 1 1/2"</p>	<p>OVERFLOW SCUPPER STYLE A (TAPERED)</p>  <p>FOR USE WITH TAPERED EDGE STRIP. FLANGE LOWERED 1 1/2"</p>
<p>DOWNSPOUT SCUPPER STYLE B (FLAT)</p>  <p>NOTE: SPECIFY TUBE SIZE FOR USE WITH TAPERED EDGE STRIP FLANGE LOWERED 1 1/2"</p>	<p>SPILLOUT SCUPPER STYLE B (FLAT)</p>  <p>FOR USE WITHOUT TAPERED EDGE STRIP FLANGE FLUSH MOUNTED WITH ROOF</p>	<p>OVERFLOW SCUPPER STYLE B (FLAT)</p>  <p>FOR USE WITHOUT TAPERED EDGE STRIP FLANGE FLUSH MOUNTED WITH ROOF</p>

Fabrication will proceed only after receipt of signed print approval.

Print Approval:

Architect and/or contractor shall verify all dimensions, sizes and quantities. All products to be installed in strict accordance with Elevate's printed instructions.

Approved by: _____

Date: _____

QUANTITIES:

DOWNSPOUT SCUPPER

____ STYLE A (TAPERED)
(1 1/2" DROP)
____ STYLE B (FLAT)
____ CUSTOM TAPER ____" DROP
(DOWNSPOUT SIZE) ____ x ____

SPILLOUT SCUPPER

____ STYLE A (TAPERED)
(1 1/2" DROP)
____ STYLE B (FLAT)
____ CUSTOM TAPER ____" DROP

OVERFLOW SCUPPER

____ STYLE A (TAPERED)
(1 1/2" DROP)
____ STYLE B (FLAT)
____ CUSTOM TAPER ____" DROP

MATERIAL:

____ 24 GA. STEEL
____ .040" ALUMINUM
____ OTHER _____
COLOR: _____
FINISH: _____

PROJECT: _____

ARCHITECT: _____

ROOFING CONTRACTOR: _____

REPRESENTATIVE/DISTRIBUTOR: _____



ELEVATE
26 CENTURY BLVD.
SUITE 205
NASHVILLE, TN 37214
CONTACT YOUR LOCAL ELEVATE REPRESENTATIVE

DATE: 03/13/23

DRN BY: MLM

CKD BY: MM

SHT.# ____ OF ____

DWG# 13010-14943

C