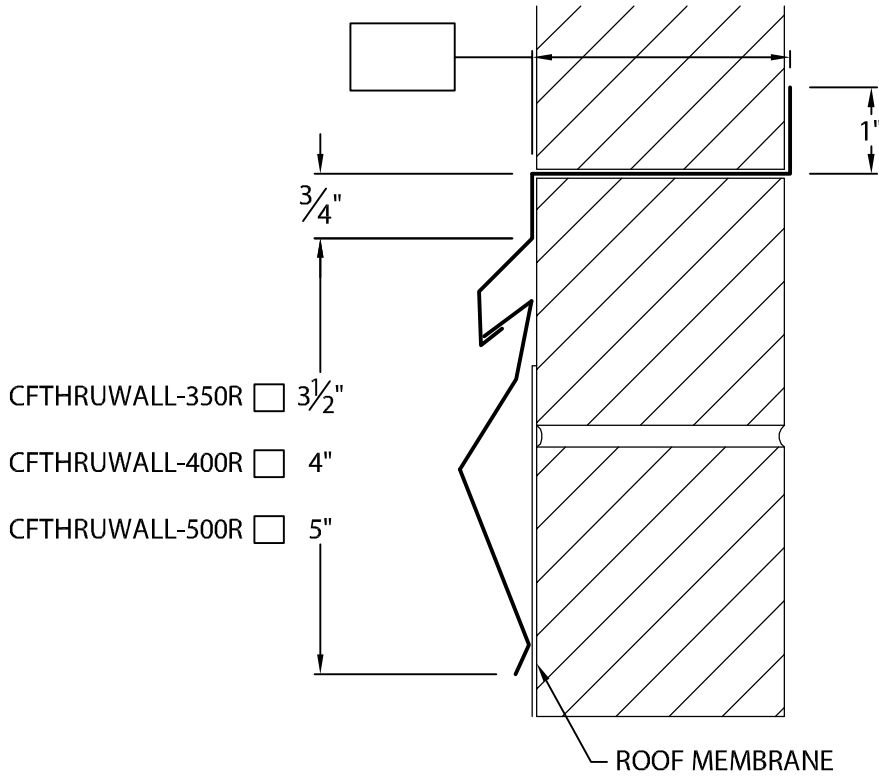


# DERBIGUM COUNTER-FLASH 2 PC COUNTERFLASHING

THRU-WALL VERSION



NOTE: PRE-NOTCHED LAP JOINT 3"

Fabrication will proceed only after receipt of signed print approval.

## Print Approval:

Architect and/or contractor shall verify all dimensions, sizes and quantities. All products to be installed in strict accordance with Derbigum's printed instructions.

Approved by: \_\_\_\_\_

Date: \_\_\_\_\_

## MATERIAL:

\_\_\_ 24 GA. GALVANIZED STEEL

\_\_\_ .040" ALUMINUM COLOR: \_\_\_\_\_

\_\_\_ .050" ALUMINUM FINISH: \_\_\_\_\_

\_\_\_ OTHER \_\_\_\_\_

## QUANTITIES:

\_\_\_\_\_ LINEAL FEET 12'-0" LENGTHS

PROJECT:

ARCHITECT:

ROOFING CONTRACTOR:

REPRESENTATIVE/DISTRIBUTOR:

Customer Service  
1-800-727-9872



**DERBIGUM®**  
MAKING BUILDINGS SMART

DATE: 02/11/17

DRN BY: JJC

CKD BY: SAK

SHT.# \_\_\_ OF \_\_\_

DWG# 20015-25704

**A**