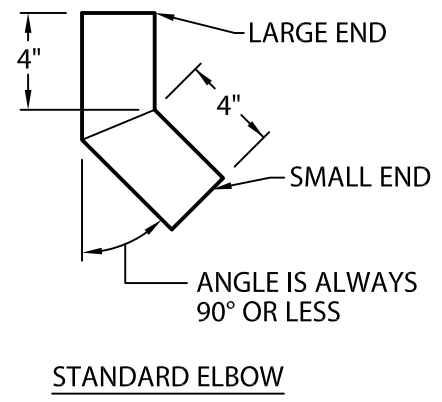
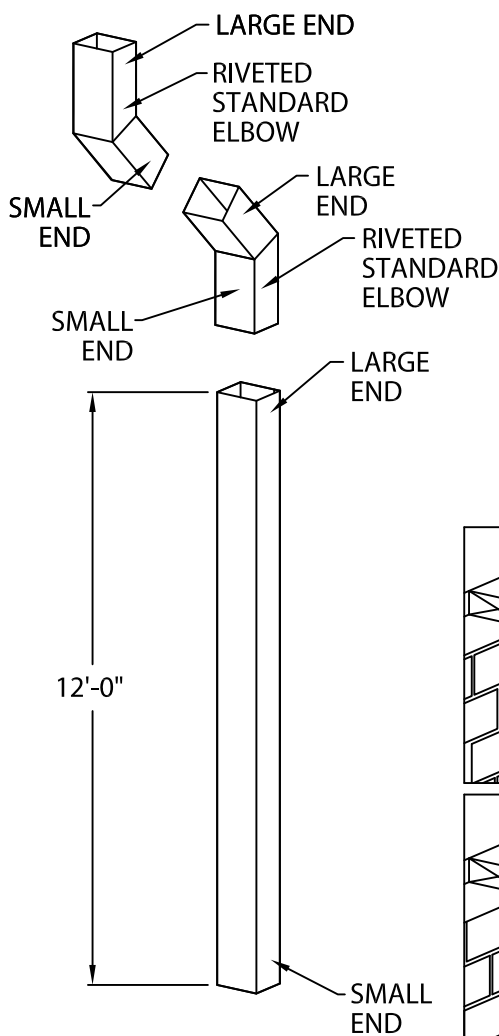
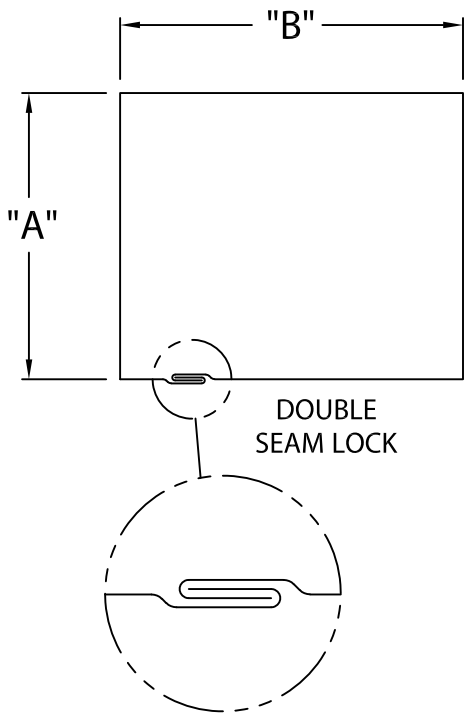


INDUSTRIAL DOWNSPOUT

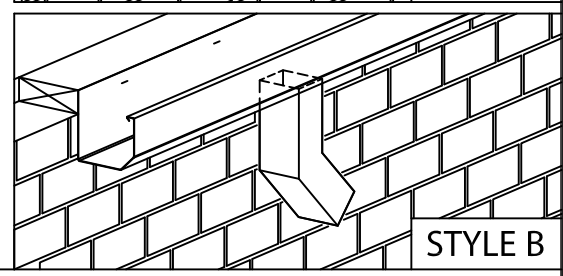
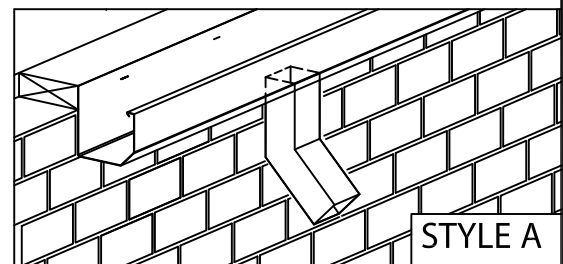
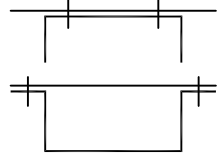
CLOSED FACE VERSION



DOWNSPOUT STRAPS

(SELECT STYLE BELOW, IF STYLE IS NOT SELECTED STYLE 2 WILL BE PROVIDED)

- STYLE 1
- STYLE 2



Fabrication will proceed only after receipt of signed print approval.

Print Approval:

Architect and/or contractor shall verify all dimensions, sizes and quantities. All products to be installed in strict accordance with FiberTite's printed instructions.

Approved by: _____
Date: _____

MATERIAL:

- ___ 24 GA. GALVANIZED STEEL
- ___ .040" ALUMINUM
- ___ .050" ALUMINUM
- ___ .063" ALUMINUM
- ___ OTHER _____

COLOR: _____ FINISH: _____

QUANTITIES:

_____ LINEAL FEET 12'-0" LENGTHS SIZE _____" x _____"
 _____ OUTLETS
 _____ STANDARD ELBOWS (_____°) STYLE: A _____ B _____
 _____ STANDARD ELBOWS (_____°) STYLE: A _____ B _____

PROJECT: _____
 ARCHITECT: _____
 ROOFING CONTRACTOR: _____
 REPRESENTATIVE/DISTRIBUTOR: _____

Customer Service
1-800-355-6416



DATE: 02/06/19
 DRN BY: JJC
 CKD BY: SAK

SHT.# _____ OF _____
 DWG# 23013-30543 **A**