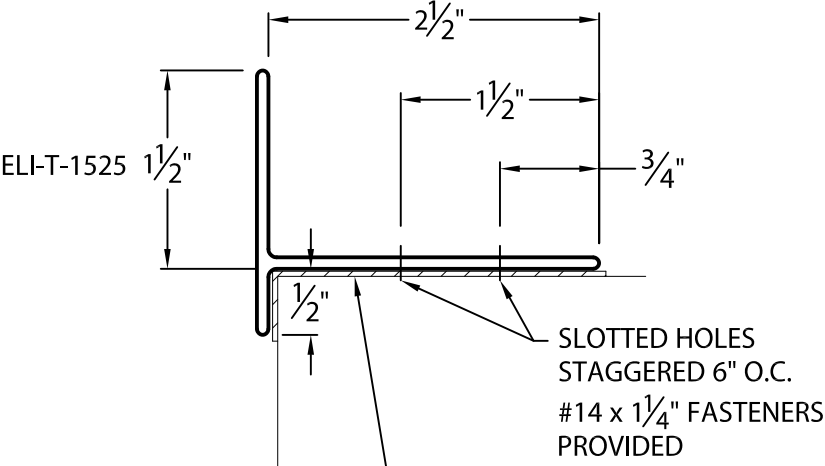


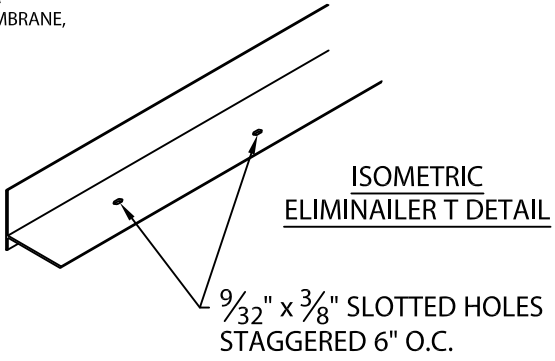
# ELIMINAILER®-T

FOR USE WITH EXISTING WOOD NAILER, 1.5" VERSION

U.S. PATENT # 9,878,023 B1



A MINIMUM ISOLATION LAYER OF 3" IS REQUIRED BETWEEN THE T-BAR AND TREATED WOOD. NO ISOLATION LAYER IS REQUIRED FOR NON-TREATED LUMBER. EXAMPLES OF ISOLATION LAYERS WOULD INCLUDE RUBBER OR PLASTIC STRIPS, PEEL AND STICK MEMBRANE, OR METAL-ERA'S ISOLATION TAPE.



Fabrication will proceed only after receipt of signed print approval.

## Print Approval:

Architect and/or contractor shall verify all dimensions, sizes and quantities. All products to be installed in strict accordance with Metal-Era's printed instructions.

Approved by: \_\_\_\_\_  
Date: \_\_\_\_\_

### MATERIAL:

.080" EXTRUDED ALUMINUM

### QUANTITIES:

\_\_\_\_\_ LINEAL FEET 12'-0" LENGTHS  
\_\_\_\_\_ ROLLS ISOLATION TAPE 3" WIDE (180 FT PER ROLL)

PROJECT: \_\_\_\_\_  
ARCHITECT: \_\_\_\_\_  
ROOFING CONTRACTOR: \_\_\_\_\_  
REPRESENTATIVE/DISTRIBUTOR: \_\_\_\_\_

Corporate Offices, Manufacturing  
1600 Airport Road; Waukesha, WI 53188  
Phone: 800-558-2162  
Fax: 800-373-9156  
www.metalera.com



DATE: 03/20/18 SHT.# \_\_\_\_ OF \_\_\_\_  
DRN BY: JJC  
CKD BY: SAK DWG# 11018-25902 **A**