

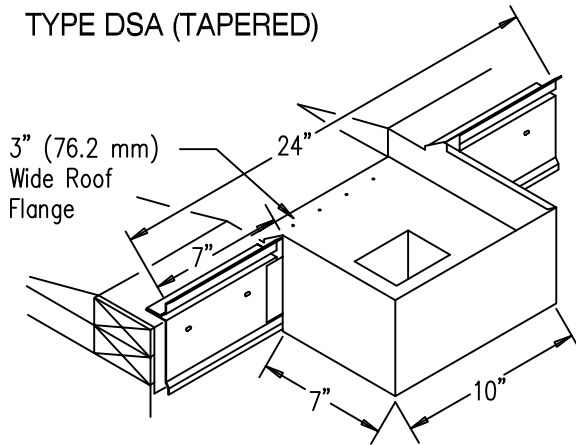
# SECUREDGE 1000 FASCIA SYSTEM

FOR USE WITH FULLY ADHERED OR MECHANICALLY ATTACHED SINGLE-PLY ROOF SYSTEMS

NOTE: TREATED WOOD NAILERS REQUIRED.

SCUPPERS -- FACTORY WELDED CONSTRUCTION

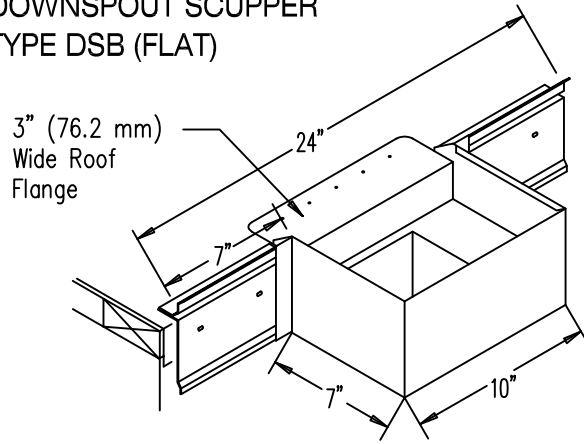
## DOWNSPOUT SCUPPER TYPE DSA (TAPERED)



FOR USE WITH TAPERED EDGE STRIP.  
FLANGE LOWERED 1-1/2" (38.1 mm).

NOTE : SPECIFY TUBE SIZE

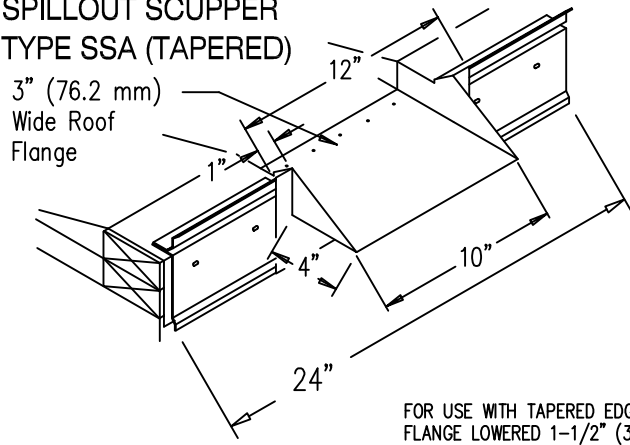
## DOWNSPOUT SCUPPER TYPE DSB (FLAT)



FOR USE WITHOUT TAPERED EDGE STRIP.  
FLANGE FLUSH MOUNTED WITH ROOF.

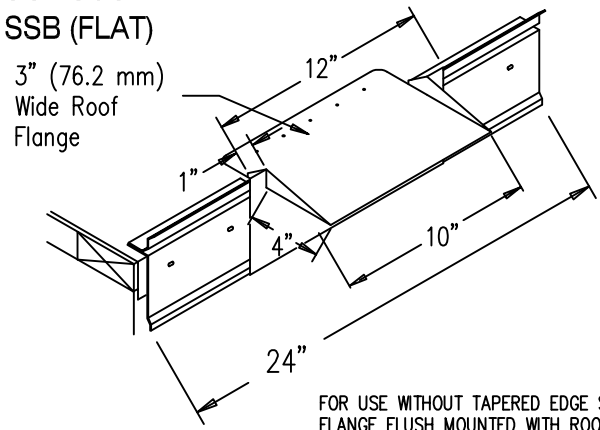
NOTE : SPECIFY TUBE SIZE

## SPILLOUT SCUPPER TYPE SSA (TAPERED)



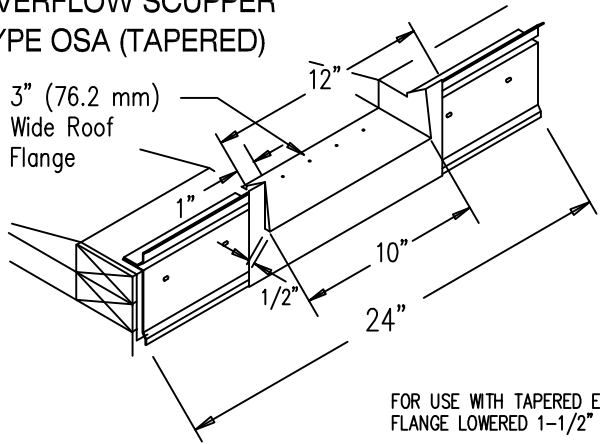
FOR USE WITH TAPERED EDGE STRIP.  
FLANGE LOWERED 1-1/2" (38.1 mm).

## SPILLOUT SCUPPER TYPE SSB (FLAT)



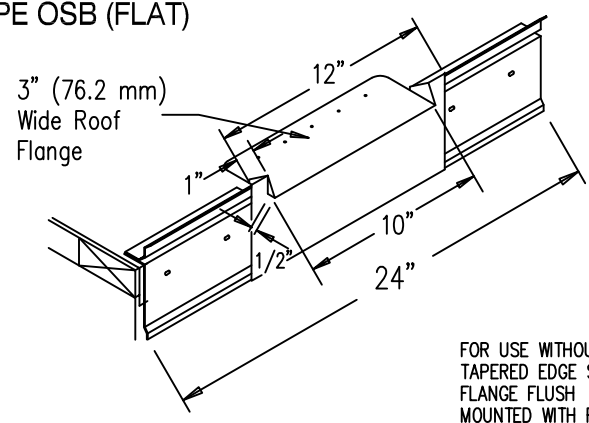
FOR USE WITHOUT TAPERED EDGE STRIP.  
FLANGE FLUSH MOUNTED WITH ROOF.

## OVERFLOW SCUPPER TYPE OSA (TAPERED)



FOR USE WITH TAPERED EDGE STRIP.  
FLANGE LOWERED 1-1/2" (38.1 mm).

## OVERFLOW SCUPPER TYPE OSB (FLAT)



FOR USE WITHOUT  
TAPERED EDGE STRIP.  
FLANGE FLUSH  
MOUNTED WITH ROOF.

PROJECT  
ARCHITECT  
ROOFING CONTRACTOR  
REPRESENTATIVE/DISTRIBUTOR

Customer Service  
888-666-4369  
(Metal-Era)



DATE: 09/30/05  
DRN BY: JJC  
CKD BY: SAK

SHT.# \_\_\_ OF \_\_\_  
DWG# 15510-1655 B