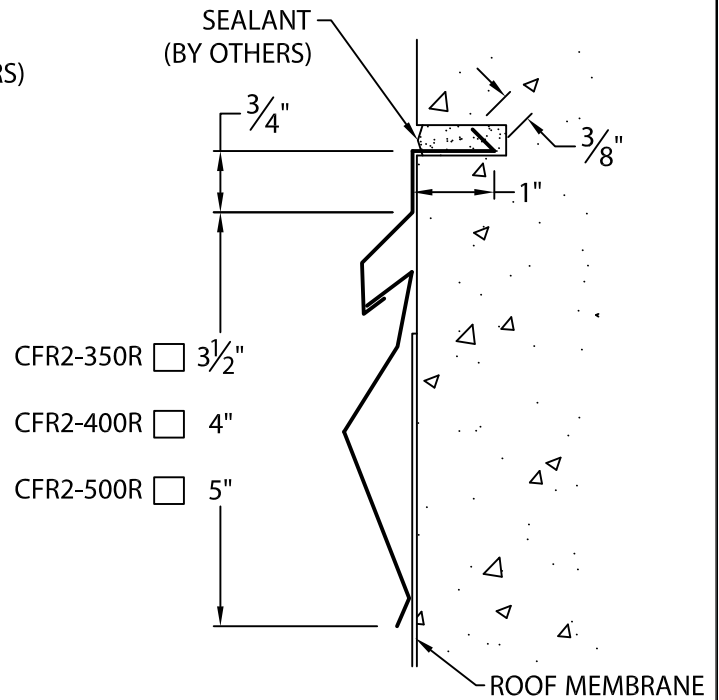
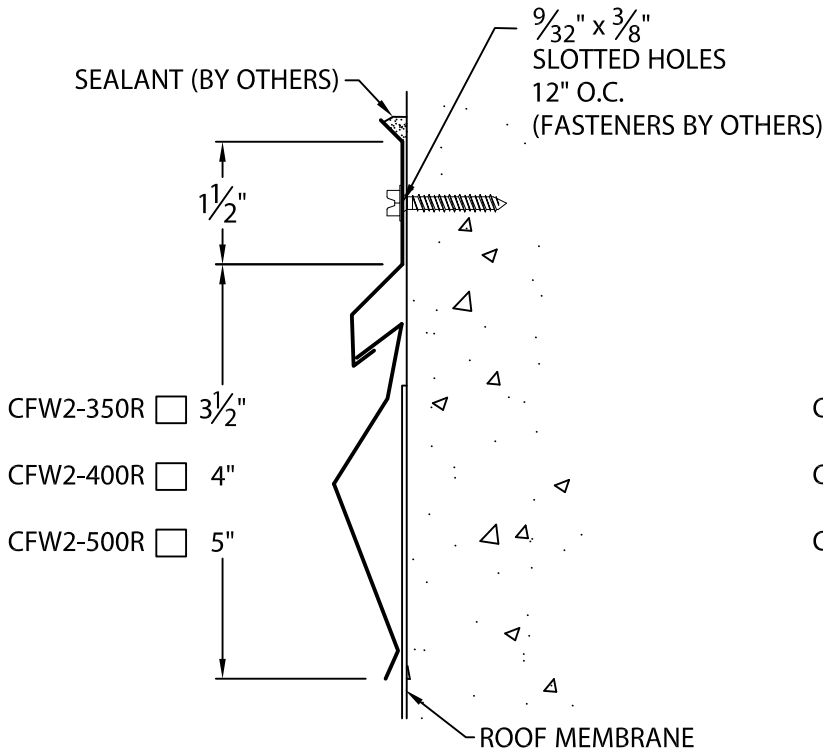


2 PC COUNTERFLASHING

REGLET AND SURFACE VERSION



NOTE: PRE-NOTCHED LAP JOINT 3"

Fabrication will proceed only after receipt of signed print approval.

Print Approval:

Architect and/or contractor shall verify all dimensions, sizes and quantities. All products to be installed in strict accordance with Flex's printed instructions.

Approved by: _____

Date: _____

MATERIAL:

__ 24 GA. GALVANIZED STEEL

__ .040" ALUMINUM COLOR: _____

__ .050" ALUMINUM FINISH: _____

__ OTHER _____

QUANTITIES:

_____ LINEAL FEET 12'-0" LENGTHS

PROJECT:

ARCHITECT:

ROOFING CONTRACTOR:

REPRESENTATIVE/DISTRIBUTOR:

Customer Service:

Phone: 800-969-0108

Fax: 610-916-9501

DATE: 02/16/17

DRN BY: JAB

CKD BY: SAK

SHT.# ____ OF ____

DWG# 28015-24506

B