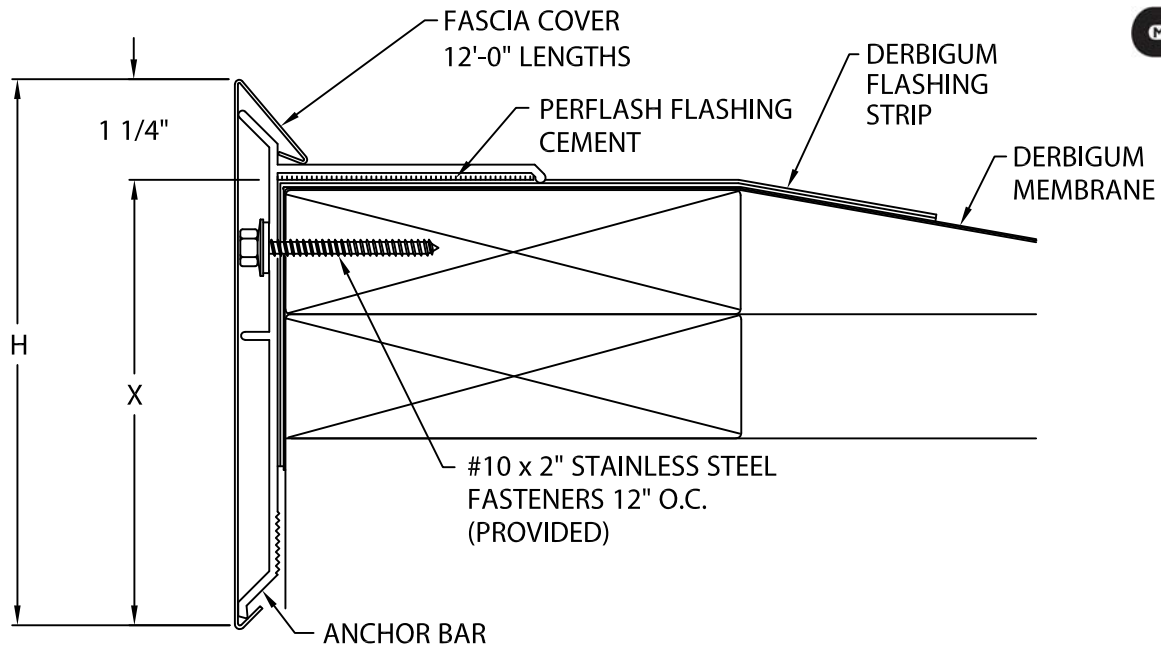




DERBI-ANCHOR FASCIA

ANSI/SPRI ES-1 DESIGN PRESSURE OF UP TO 275 psf



DERBI-ANCHOR FASCIA DIMENSIONS

PRODUCT IDENT. NO.	H DIM	X DIM	NAILER COVERAGE
<input type="checkbox"/> AFM-55	5 1/2"	4 1/4"	1 NAILER
<input type="checkbox"/> AFM-70	7"	5 3/4"	2 NAILERS
<input type="checkbox"/> AFM-85	8 1/2"	7 1/4"	4 NAILERS

NOTE: Holes prepunched 1" down centered in 1st nailer

MATERIAL:

24 Ga. Galv. Steel
 .040" Aluminum
 OTHER _____

Color: _____ Finish: _____

Fabrication will proceed only after receipt of signed print approval.

Print Approval:

Architect and/or contractor shall verify all dimensions, sizes and quantities. All products to be installed in strict accordance with Derbigum's printed instructions.

Approved by: _____

Date: _____

QUANTITIES:

_____ Lineal Feet 12'-0" Lengths
 _____ Outside Miter(s) @ 90°
 _____ Inside Miter(s) @ 90°
 _____ Overflow Scupper Style ___A___B
 _____ Spillout Scupper Style ___A___B
 _____ Downspout Scupper Style ___A___B
 (____X____) Size A: Tapered 1 1/2" Drop
 B: Flat

FOR NON-90 MITERS SEE PRINT APPROVAL #20010-25624

PROJECT: _____

ARCHITECT: _____

ROOFING CONTRACTOR: _____

REPRESENTATIVE/DISTRIBUTOR: _____

Customer Service
1-800-727-9872



DATE: 03/29/19

DRN BY: ZS

CKD BY: SAK

SHT.# ___ OF ___

DWG# 20010-25623 C