

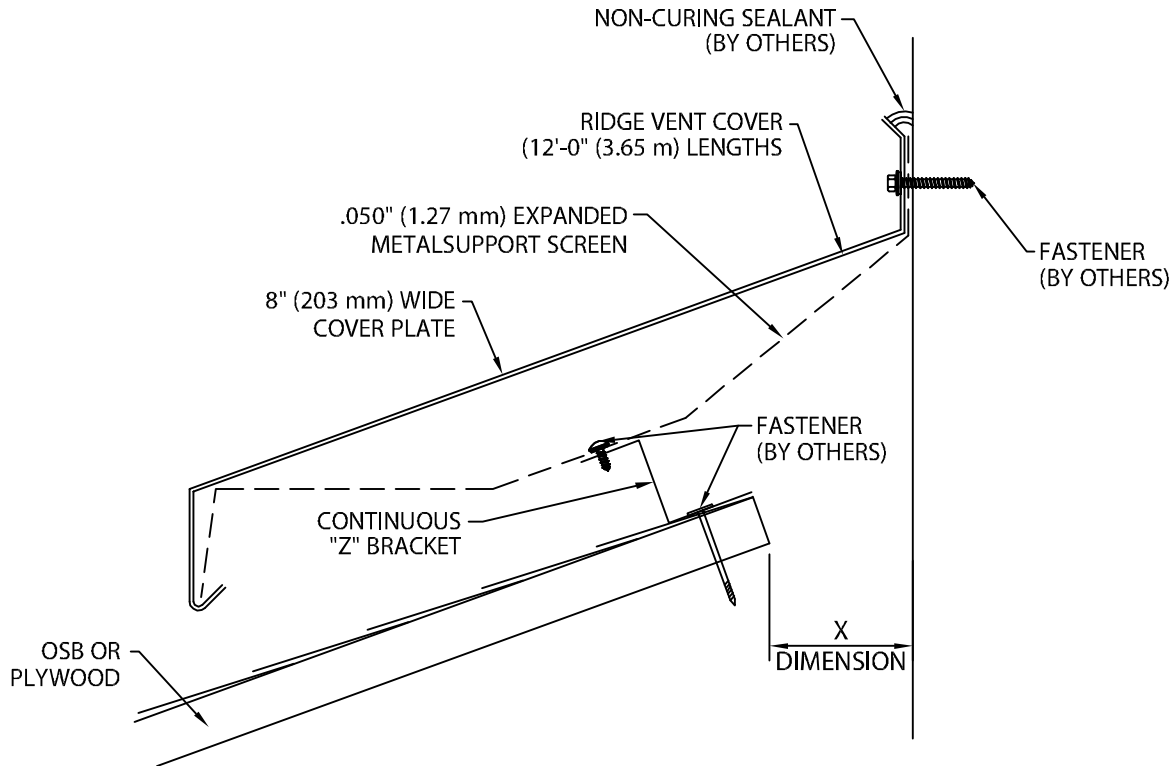
TECHNI-FLO RV

SLOPED ROOF MEETS HIGH WALL, SHINGLED VERSION

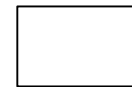
INSTALLATION INSTRUCTIONS

PATENT #7,823,343 B1

DETAIL A



ATLAS ROOFING PROCESS
ENGINEER PLEASE
SPECIFY




X DIMENSION

CAUTION! INSTALLERS SHALL WEAR PROTECTIVE EYE WEAR TO PREVENT INJURY. DO NOT OVERDRIVE FASTENERS, AS STRIPPING CAN OCCUR AT HIGH DRIVER TORQUE. RECOMMENDED DRIVING TOOL: 600 - 800 rpm ELECTRIC DRILL EQUIPPED WITH DEPTH-SENSING NOSE-PIECE TO PREVENT DRIVING AND STRIPOUT. DO NOT USE IMPACT TYPE TOOL.

IMPORTANT! BE SURE TO REMOVE PROTECTIVE PLASTIC FILM PRIOR TO INSTALLING EACH COVER SECTION.

NOTE: ALL FASTENERS MUST MEET MINIMUM 240 LB. PULL-OUT FOR SUBSTRATE.

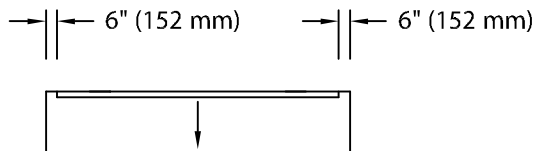
		Phone: 855-542-0918 Fax: 800-770-3934 atlasroofing.com
DATE: 09/11/14	SHT.# <u>1</u> OF <u>4</u>	
DRN BY: JJC	DWG# 38124-10918 F	
CKD BY: SAK		

TECHNI-FLO RV

SLOPED ROOF MEETS HIGH WALL, SHINGLED VERSION

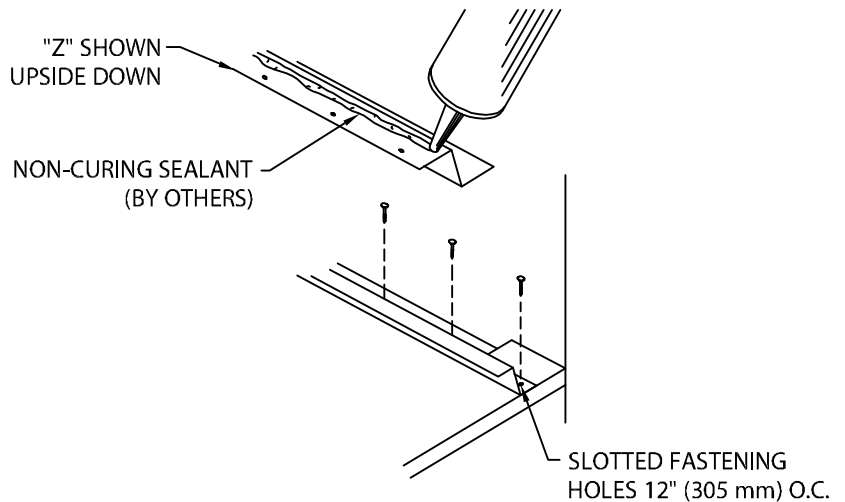
INSTALLATION INSTRUCTIONS

PATENT #7,823,343 B1



1. PREPARE RIDGE

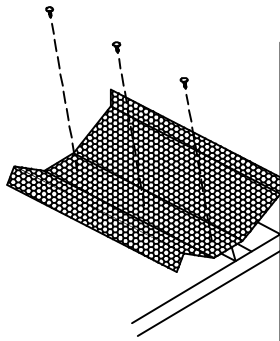
CUT OPENING AT RIDGE "X" DIMENSION. (SEE DETAIL "A".)



2. MOUNTING BRACKETS

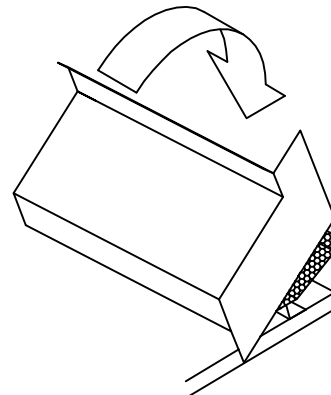
TO PREVENT MOISTURE ENTRY UNDER THE "Z", APPLY A GENEROUS BEAD OF NON-CURING SEALANT TO BOTTOM OF FLANGE. FASTEN BRACKETS AT ROOF AT 6" (152 mm) O.C. WITH APPROPRIATE FASTENERS USING PRE-PUNCHED SLOTTED HOLES. LAP "Z'S" 1" (25 mm).

NOTE: FOAM/SEALANT SHOULD BE PLACED BETWEEN THE "Z" AND HIGH WALL OVER THE OSB ON THE LAST 6" (152 mm) AT BOTH ENDS (SEE STEP 1)



3. EXPANDED METAL SUPPORT SCREEN

PLACE SUPPORT SCREEN CENTERED OVER "Z" BRACKET. FASTEN AT 12" (305 mm) O.C. TO "Z" BRACKET. LAP SUPPORT SCREENS 1" (25 mm).



4. ENDCAP

SNAP ENDCAP INTO PLACE STARTING AT SLOPED END. HOOK THE EXPANDED METAL SUPPORT SCREEN INTO THE COVER LIP. ROTATE ENDCAP DOWNWARD.

NOTE: REMOVE PROTECTIVE FILM IMMEDIATELY.

Techni-Flo
Engineered Roof Ventilation

Phone: 855-542-0918
Fax: 800-770-3934
atlasroofing.com

DATE: 09/11/14

SHT.# 2 OF 4

DRN BY: JJC

CKD BY: SAK

DWG# 38124-10918

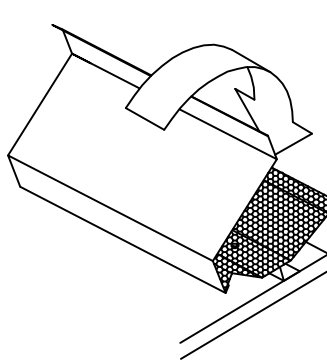
F

TECHNI-FLO RV

SLOPED ROOF MEETS HIGH WALL, SHINGLED VERSION

INSTALLATION INSTRUCTIONS

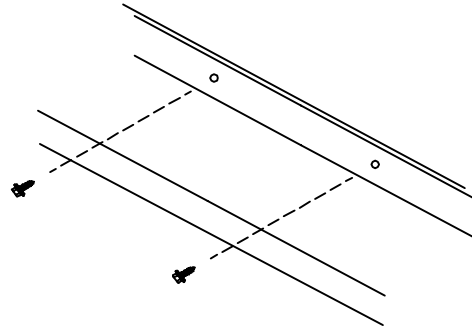
PATENT #7,823,343 B1



5. COVER

SNAP COVER INTO PLACE STARTING AT SLOPED END. HOOK THE EXPANDED METAL SUPPORT SCREEN INTO THE COVER LIP. ROTATE COVER DOWNWARD. LEAVE A $\frac{3}{8}$ " (10 mm) SPACE AT JOINTS TO ALLOW FOR THERMAL EXPANSION.

NOTE: REMOVE PROTECTIVE FILM IMMEDIATELY.



6. FASTEN

FASTEN TO WALL 12" (305 mm) O.C. WITH APPROPRIATE FASTENERS USING PRE-PUNCHED SLOTTED HOLES.

NOTE: ONE FASTENER REQUIRED FOR EACH END CAP.

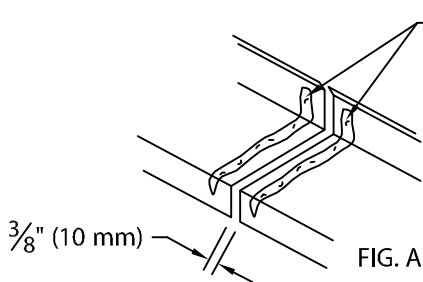


FIG. A

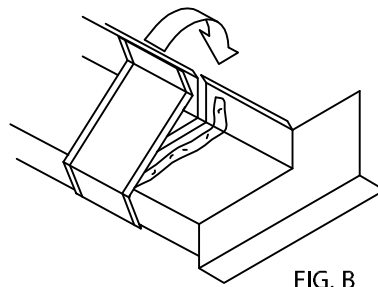


FIG. B

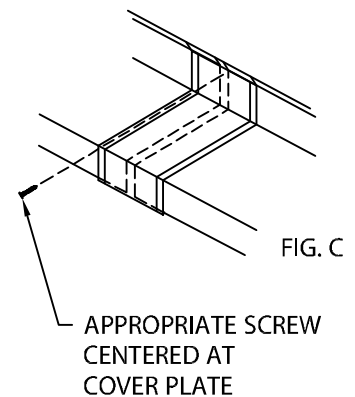


FIG. C

7. COVER PLATES

CONTINUE INSTALLING COVER WITH A $\frac{3}{8}$ " (10 mm) SPACE AT JOINTS TO ALLOW FOR THERMAL EXPANSION. FIELD CUT WHERE REQUIRED USING A FINE TOOTH HACKSAW. APPLY A GENEROUS BEAD OF NON-CURING SEALANT (BY OTHERS) TO EACH SIDE OF JOINT (FIG. A). HOOK COVER PLATE ONTO COVER AT JOINTS AND ROTATE INTO PLACE (FIG. B). FASTEN ONE APPROPRIATE SCREW CENTERED INTO COVER PLATE (FIG. C). THIS WILL PREVENT MIGRATION.



Phone: 855-542-0918

Fax: 800-770-3934

atlasroofing.com

DATE: 09/11/14

SHT.# 3 OF 4

DRN BY: JJC

CKD BY: SAK

DWG# 38124-10918

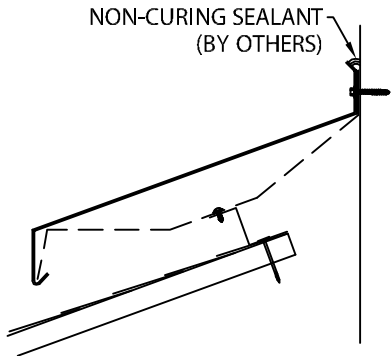
F

TECHNI-FLO RV

SLOPED ROOF MEETS HIGH WALL, SHINGLED VERSION

INSTALLATION INSTRUCTIONS

PATENT #7,823,343 B1



8. SEALANT

TO PREVENT MOISTURE ENTRY BEHIND THE "CAULK LIP",
APPLY A GENEROUS BEAD OF NON-CURING SEALANT
BETWEEN THE "CAULK LIP" AND THE HIGH WALL



Phone: 855-542-0918

Fax: 800-770-3934

atlasroofing.com

DATE: 09/11/14

SHT.# 4 OF 4

DRN BY: JJC

CKD BY: SAK

DWG# 38124-10918

F