



# PERMA-TITE GOLD COPING

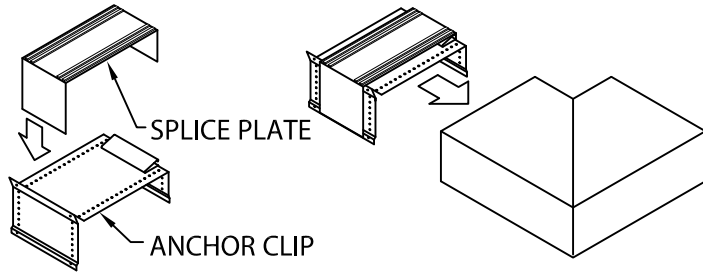
TAPERED VERSION - 3'-0" O.C.

## INSTALLATION INSTRUCTIONS

**IMPORTANT:** PRIOR TO INSTALLATION, READ INSTRUCTIONS CAREFULLY.

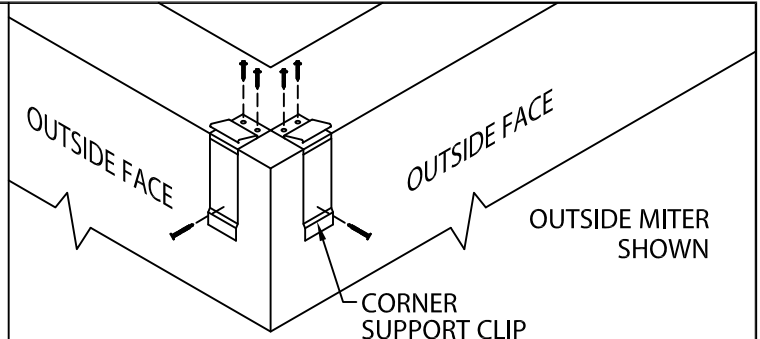
**NOTE:** ENSURE THAT SIPLAST FLASHING MEMBRANE IS APPLIED OVER THE PARAPET AND NAILER IN ACCORDANCE WITH SIPLAST STANDARD SPECIFICATIONS AND DETAILS.

**CAUTION:** INSTALL MITERS FIRST!



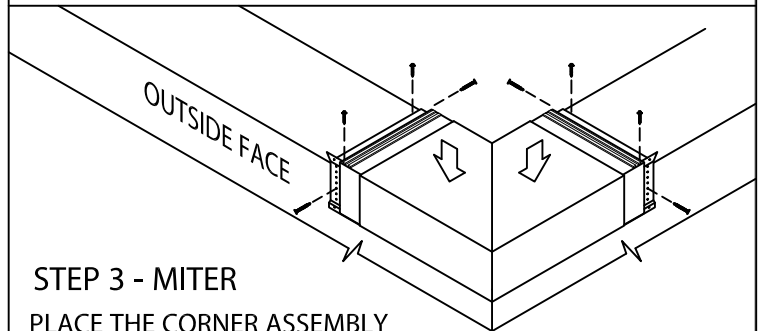
### STEP 2 - MITER SPLICE PLATES & ANCHOR CLIPS

REMOVE RELEASE PAPER FROM SPLICE PLATE SEALANT STRIPS. POSITION THE SPLICE PLATE IN THE CENTER OF THE ANCHOR CLIP. INSTALL THE SPLICE PLATE AND ANCHOR CLIP ASSEMBLY INTO EACH END OF THE CORNER AS SHOWN.



### STEP 1 - CORNER SUPPORT CLIPS

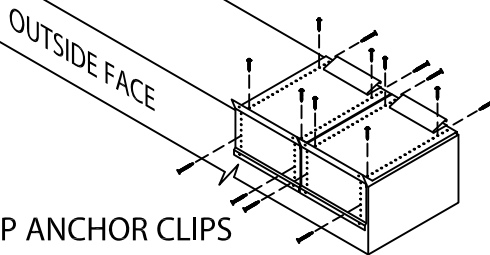
LOCATE AND FASTEN GALVANIZED CORNER SUPPORT CLIPS TO THE WALL. FASTEN THRU FACE IF OUTSIDE FACE IS OVER 6".



### STEP 3 - MITER

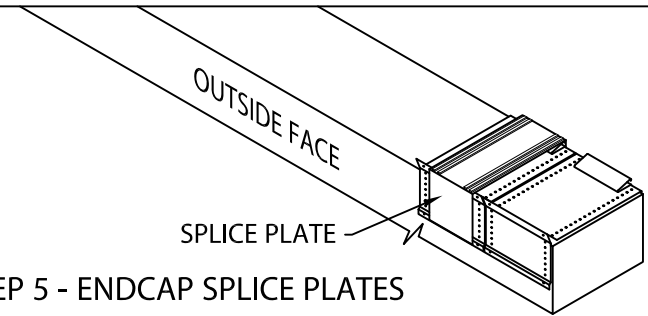
PLACE THE CORNER ASSEMBLY INTO POSITION AND SECURE AT THE EXPOSED EDGE OF THE ANCHOR CLIPS AS PER DETAIL A.

LEFT ENDCAP SHOWN



### STEP 4 - ENDCAP ANCHOR CLIPS

LOCATE AND FASTEN GALVANIZED ANCHOR CLIPS TO WALL WITH PROVIDED FASTENERS FOR SUBSTRATE (SEE DETAIL A).

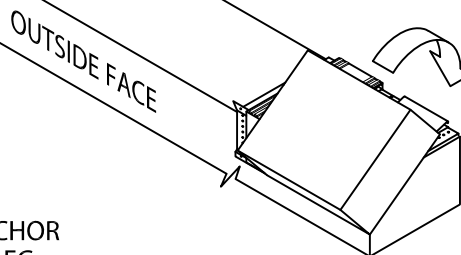


### STEP 5 - ENDCAP SPLICE PLATES

REMOVE RELEASE PAPER FROM TOP OF FACTORY APPLIED SEALANT STRIPS. PLACE SPLICE PLATE ONTO SECOND ANCHOR CLIP AS SHOWN.

### STEP 6 - ENDCAP

HOOK OUTSIDE FACE OF ENDCAP OVER THE ANCHOR CLIPS AND ROTATE INTO PLACE. ENGAGE REAR LEG ONTO ANCHOR CLIPS BY PRESSING DOWNWARD UNTIL SNAP LOCK OCCURS.



Phone: 800-558-2162  
Fax: 800-373-9156  
www.metalera.com

DATE: 01/10/20  
DRN BY: JJC  
CKD BY: JAI

SHT.# 1 OF 3  
DWG# 11111-33186

A



# PERMA-TITE GOLD COPING

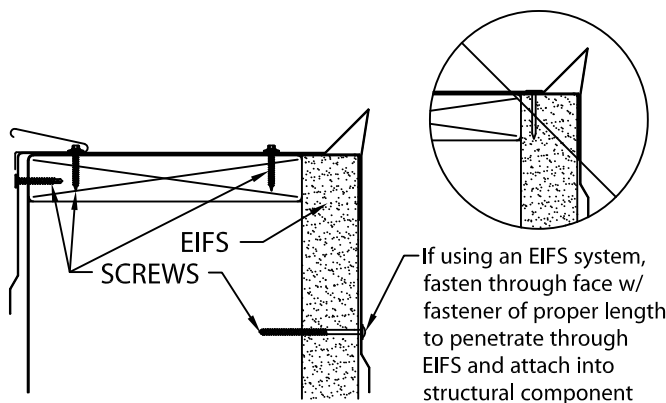
TAPERED VERSION - 3'-0" O.C.

## INSTALLATION INSTRUCTIONS

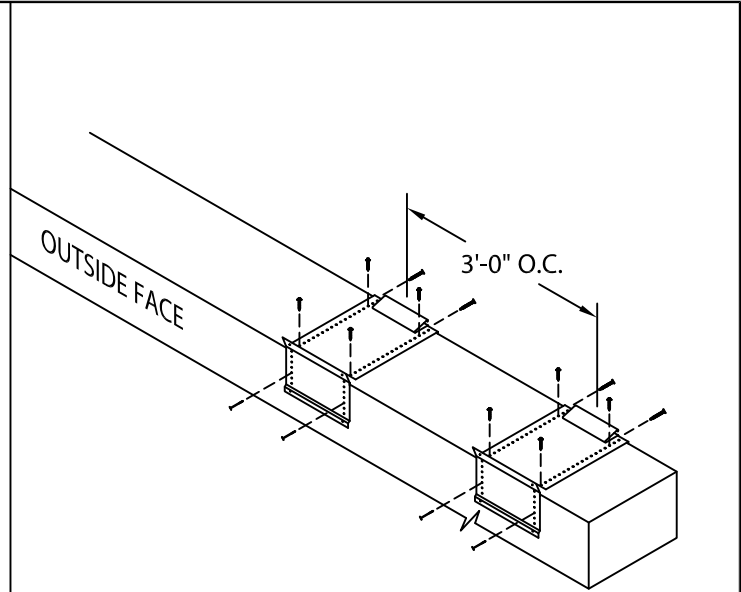
### INSTALLATION NOTES:

1) Installing contractor shall check as-built conditions, including nailer attachment, and verify the Siplast coping details for accuracy to fit the wall assembly prior to fabrication.

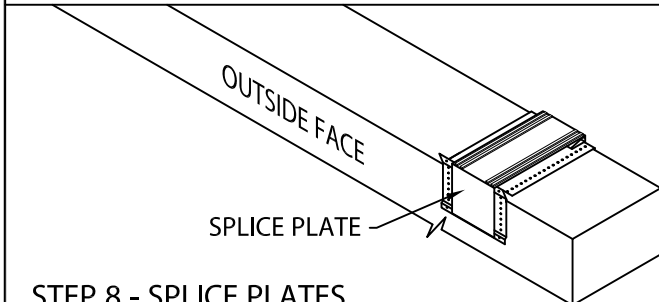
2) Fasteners must be corrosion resistant and rated for a minimum 250# pullout force for the substrate that is being used.



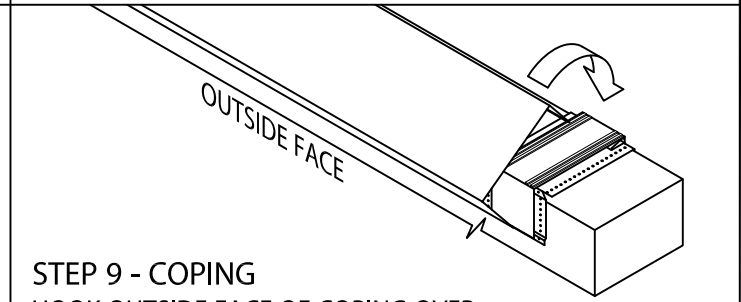
If using an EIFS system, fasten through face w/ fastener of proper length to penetrate through EIFS and attach into structural component



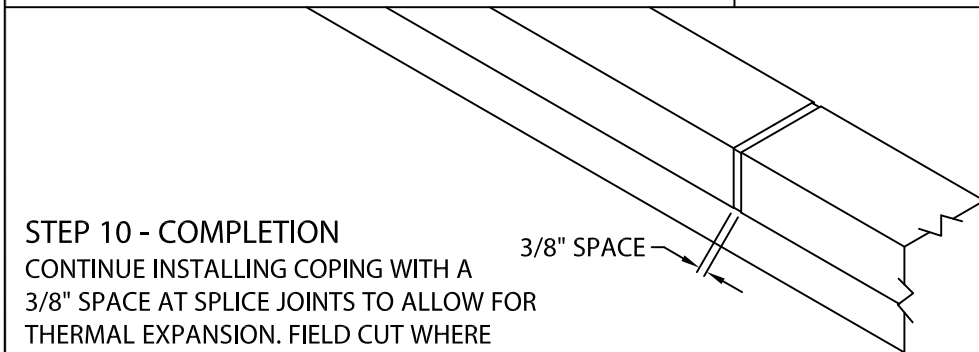
**STEP 7 - ANCHOR CLIPS**  
LOCATE OVER MEMBRANE AND FASTEN GALVANIZED ANCHOR CLIPS TO WALL AT 3'-0" CENTER WITH PROVIDED FASTENERS AS SHOWN IN DETAIL A.



**STEP 8 - SPLICE PLATES**  
PLACE SPLICE PLATE ONTO ANCHOR CLIPS AT SPLICE JOINTS, 12'-0" O.C.  
NOTE: REMOVE RELEASE PAPER FROM SEALANT STRIPS.



**STEP 9 - COPING**  
HOOK OUTSIDE FACE OF COPING OVER THE ANCHOR CLIPS AND ROTATE INTO PLACE. ENGAGE REAR LEG ONTO ANCHOR CLIPS BY PRESSING DOWNWARD UNTIL SNAP LOCK OCCURS.



**STEP 10 - COMPLETION**  
CONTINUE INSTALLING COPING WITH A 3/8" SPACE AT SPLICE JOINTS TO ALLOW FOR THERMAL EXPANSION. FIELD CUT WHERE NECESSARY USING FINE TOOTH HACKSAW OR SNIPS.  
NOTE: REMOVE PROTECTIVE FILM IMMEDIATELY.



Phone: 800-558-2162  
Fax: 800-373-9156  
www.metalera.com

DATE: 01/10/20  
DRN BY: JJC  
CKD BY: JAI

SHT.# 2 OF 3  
DWG# 11111-33186

A

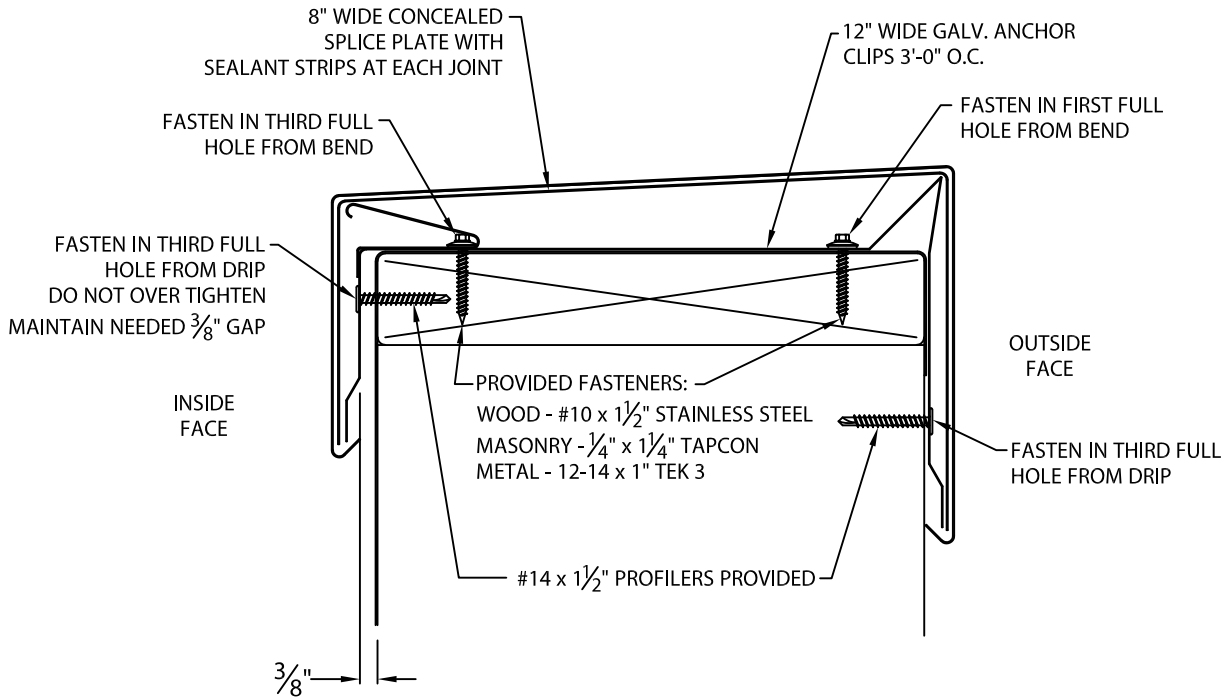


# PERMA-TITE GOLD COPING

TAPERED VERSION - 3'-0" O.C.

INSTALLATION INSTRUCTIONS

## TYPICAL COPING INSTALLATION DETAIL A



Phone: 800-558-2162  
Fax: 800-373-9156  
www.metalera.com

DATE: 01/10/20  
DRN BY: JJC  
CKD BY: JAI

SHT.# 3 OF 3  
DWG# 11111-33186

A