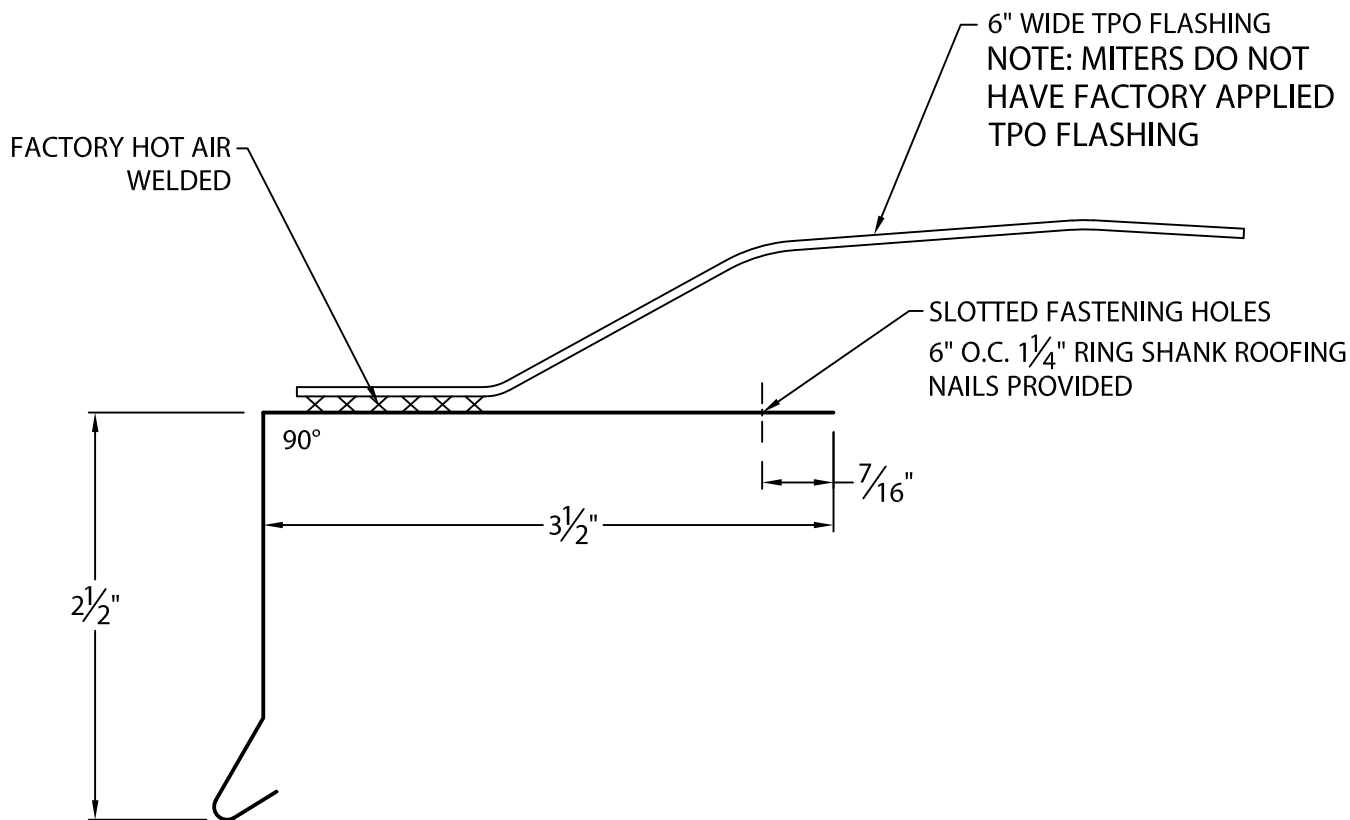


# GENFLEX TPO SKIRTED DRIP EDGE

WITH FACTORY APPLIED TPO FLASHING

WITH CONTINUOUS CLEAT



## NOTES:

- NO LAP NOTCHES PROVIDED.
- NO SPLICE PLATES PROVIDED.
- ALL FASTENERS PROVIDED.

Fabrication will proceed only after receipt of signed print approval.

## Print Approval:

Architect and/or contractor shall verify all dimensions, sizes and quantities. All products to be installed in strict accordance GenFlex's printed instructions.

Approved by: \_\_\_\_\_

Date: \_\_\_\_\_

## MATERIAL:

24 GA GALVANIZED STEEL GENFLEX TPO COATED

## COLOR:

White

## QUANTITIES:

\_\_\_\_\_ Lineal Feet (12'-0" Lengths)

\_\_\_\_\_ Outside Miters @ (\_\_\_\_\_)° (TPO Flashing Not Included)

\_\_\_\_\_ Inside Miters @ (\_\_\_\_\_)° (TPO Flashing Not Included)

PROJECT:

ARCHITECT:

ROOFING CONTRACTOR:

REPRESENTATIVE/DISTRIBUTOR:

Customer Service

Phone: 800-558-2162

Fax: 800-373-9156

[www.metalera.com/genflex](http://www.metalera.com/genflex)



DATE: 06/14/21

DRN BY: JJC

CKD BY: MM

SHT.# \_\_\_\_ OF \_\_\_\_

DWG# 22010-36400

A