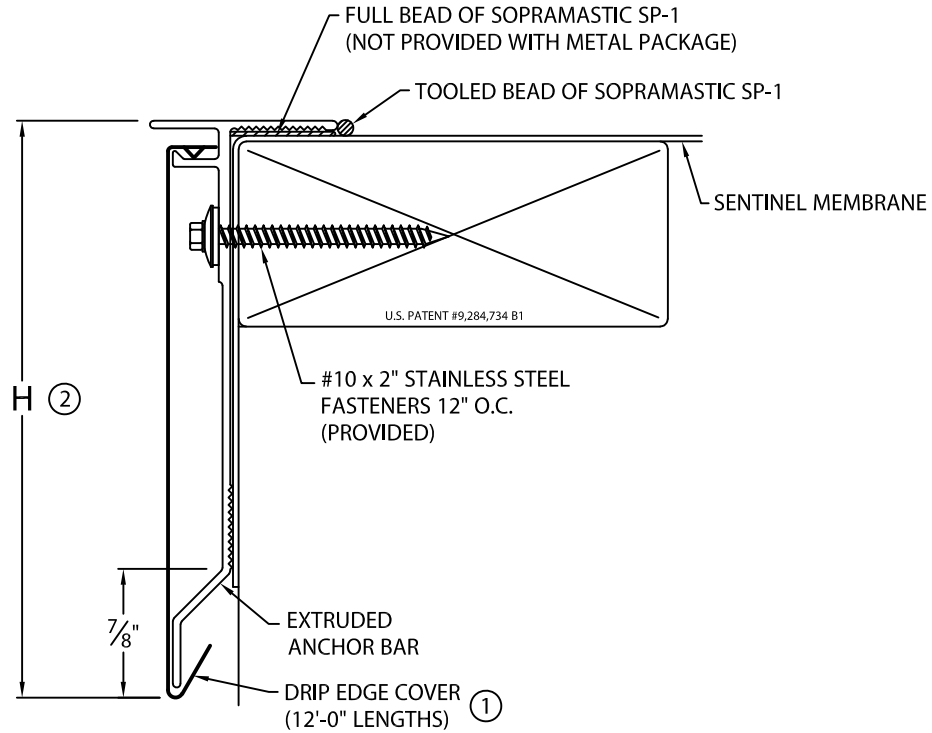




# SOPRA-TITE SENTINEL DRIP EDGE

ANSI/SPRI ES-1 TESTED



**NOTES:**

- ① FASCIA COVER PROVIDED WITH 1" LAP JOINTS.
- ② TYPICALLY COVERAGE SHOULD EXTEND A MIN. OF 1½" BELOW WOOD BLOCKING IF APPLICABLE

**SOPRA-TITE SENTINEL DRIP EDGE DIMENSIONS**

| PRODUCT ID. NO.                  | H DIM |
|----------------------------------|-------|
| <input type="checkbox"/> AFDE-30 | 3"    |
| <input type="checkbox"/> AFDE-45 | 4½"   |
| <input type="checkbox"/> AFDE-60 | 6"    |
| <input type="checkbox"/> AFDE-75 | 7½"   |

Fabrication will proceed only after receipt of signed print approval.

**Print Approval:**

Architect and/or contractor shall verify all dimensions, sizes and quantities. All products to be installed in strict accordance with SOPREMA's printed instructions.

Approved by: \_\_\_\_\_

Date: \_\_\_\_\_

**MATERIAL:**

- \_\_\_ 24 GA. GALVANIZED STEEL
- \_\_\_ .040" ALUMINUM
- \_\_\_ OTHER \_\_\_\_\_

COLOR: \_\_\_\_\_

FINISH: \_\_\_\_\_

**QUANTITIES:**

- \_\_\_\_\_ LINEAL FEET 12'-0" LENGTHS
- \_\_\_\_\_ OUTSIDE MITER(S) @ 90°
- \_\_\_\_\_ INSIDE MITER(S) @ 90°

FOR NON-90 MITERS SEE PRINT APPROVAL #33010-20199

PROJECT:

ARCHITECT:

ROOFING CONTRACTOR:

REPRESENTATIVE/DISTRIBUTOR:

800-356-3521

www.soprema.us

310 Quadral Dr. Wadsworth, OH 44281

f: 330-334-6257



DATE: 09/11/19

DRN BY: JJC

CKD BY: JAI

SHT.# \_\_\_ OF \_\_\_

DWG#33010-21449

J