

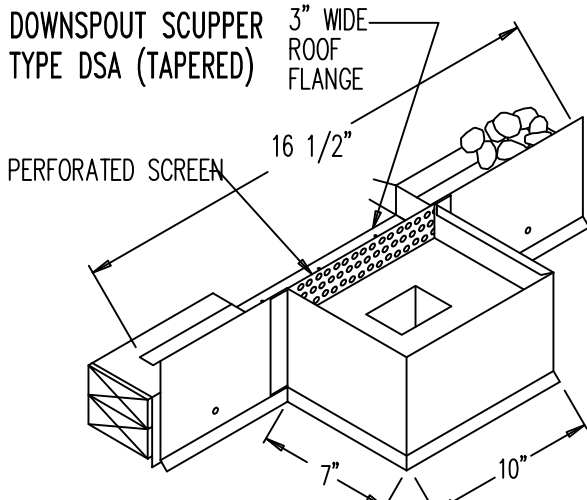
# FIBERTITE 200 FASCIA

FOR USE WITH FULLY ADHERED OR MECHANICALLY ATTACHED SINGLE-PLY ROOF SYSTEMS

NOTE : TREATED WOOD NAILERS REQUIRED.

SCUPPERS -- FACTORY WELDED CONSTRUCTION

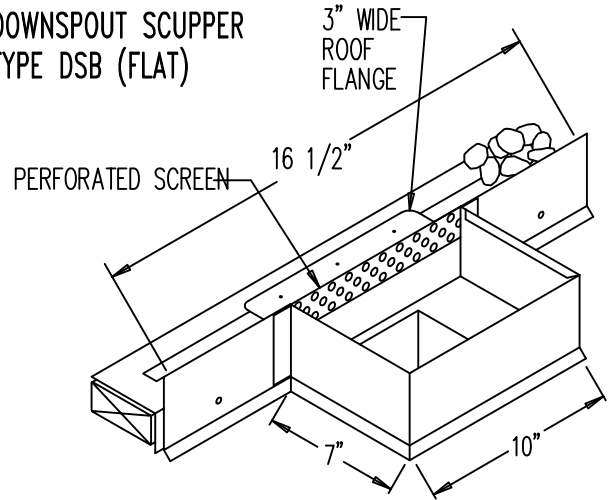
**DOWNSPOUT SCUPPER  
TYPE DSA (TAPERED)**



FOR USE WITH TAPERED EDGE STRIP.  
FLANGE LOWERED 1-1/2" (38 mm).

NOTE : SPECIFY TUBE SIZE

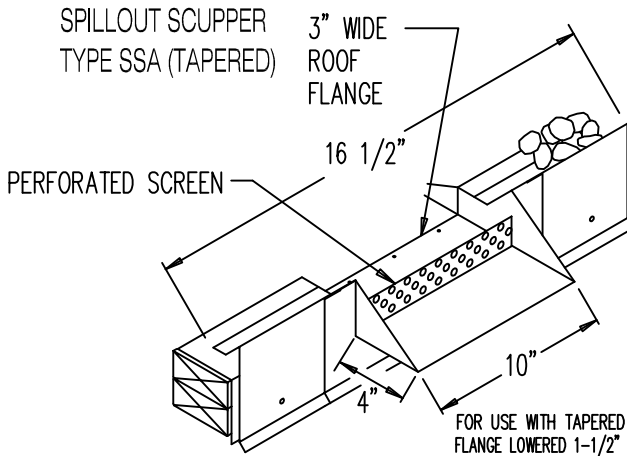
**DOWNSPOUT SCUPPER  
TYPE DSB (FLAT)**



FOR USE WITHOUT TAPERED EDGE STRIP.  
FLANGE FLUSH MOUNTED WITH ROOF.

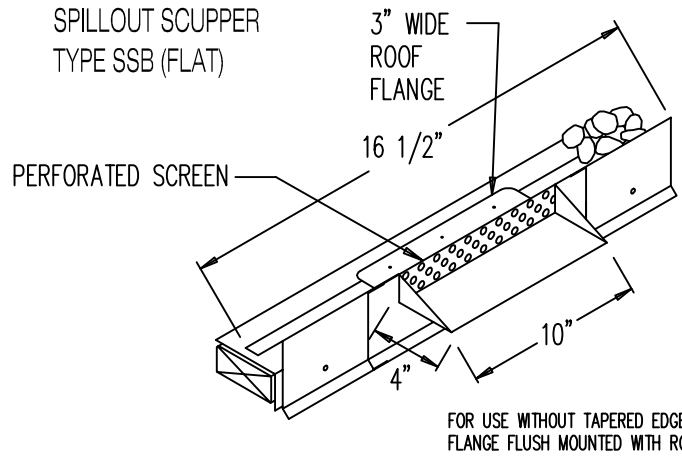
NOTE : SPECIFY TUBE SIZE

**SPILLOUT SCUPPER  
TYPE SSA (TAPERED)**



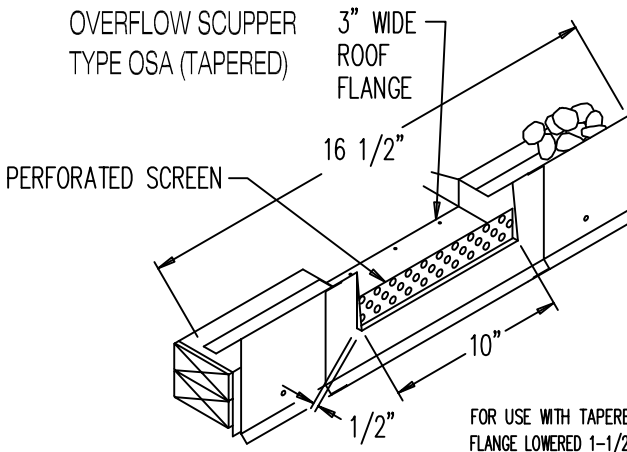
FOR USE WITH TAPERED EDGE STRIP.  
FLANGE LOWERED 1-1/2" (38 mm).

**SPILLOUT SCUPPER  
TYPE SSB (FLAT)**



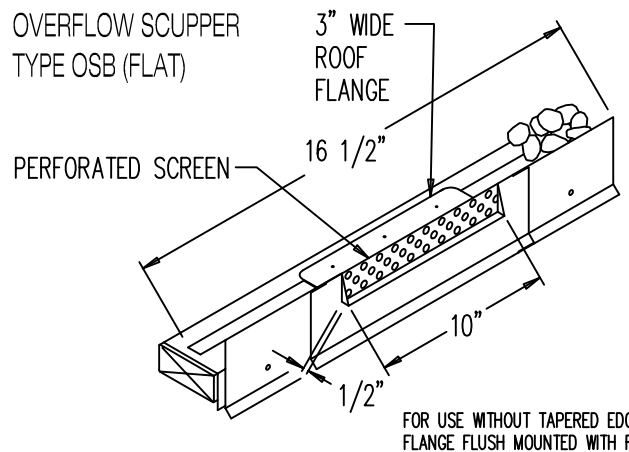
FOR USE WITHOUT TAPERED EDGE STRIP.  
FLANGE FLUSH MOUNTED WITH ROOF.

**OVERFLOW SCUPPER  
TYPE OSA (TAPERED)**



FOR USE WITH TAPERED EDGE STRIP.  
FLANGE LOWERED 1-1/2" (38 mm).

**OVERFLOW SCUPPER  
TYPE OSB (FLAT)**



FOR USE WITHOUT TAPERED EDGE STRIP.  
FLANGE FLUSH MOUNTED WITH ROOF.

PROJECT

ARCHITECT

ROOFING CONTRACTOR

REPRESENTATIVE/DISTRIBUTOR

Customer Service

1-800-355-6416



DATE: 08/04/03

DRN BY: JWH

CKD BY: SAK

SHT.# \_\_\_ OF \_\_\_

DWG# 23510-2453

B