



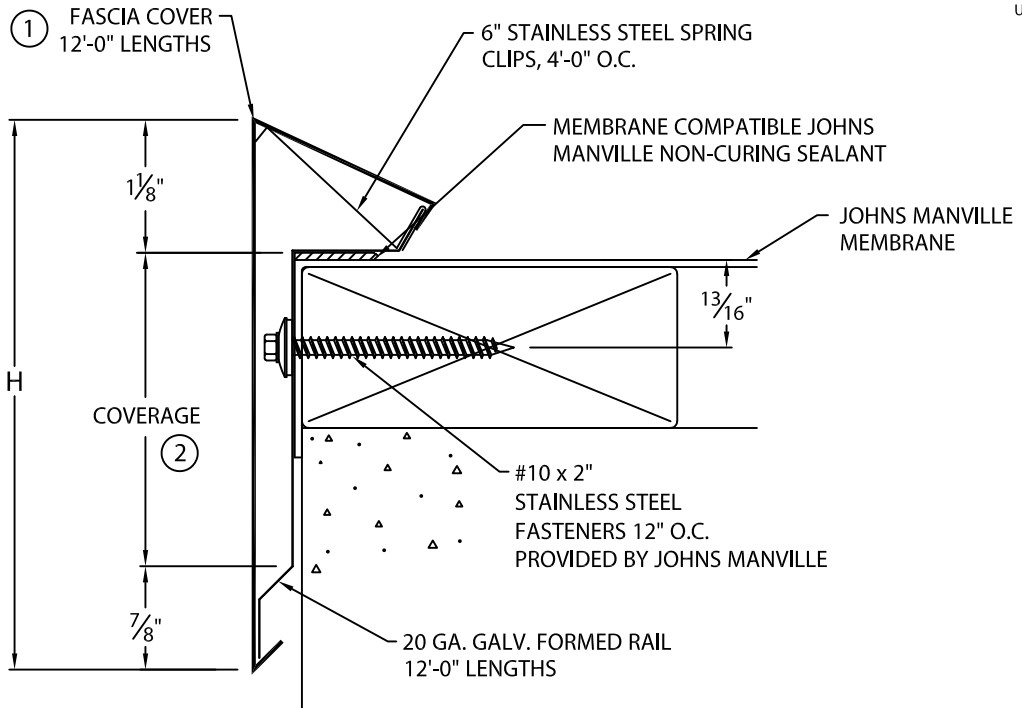
PRESTO-TITE EDGE ONE

FULLY ADHERED OR MECHANICALLY ATTACHED SINGLE-PLY VERSION

ANSI/SPRI ES-1 DESIGN PRESSURE OF 155 psf

24 GA., 22 GA. AND .040" COVER MATERIAL

U.S. Patent # 5,927,023



- EXPRESS 1 DAY LEAD TIME AVAILABLE FOR 24 GAUGE STEEL AND 0.040 ALUMINUM IN THE FOLLOWING COLORS: (WHEN MITERS NOT ORDERED)
- ALMOND
 - BONE WHITE
 - CITYSCAPE
 - CLEAR ANODIZED
 - DARK BRONZE
 - MILL FINISH
 - ROMAN BRONZE
 - SANDSTONE
 - SIERRA TAN
 - SLATE GRAY
 - STONE WHITE

NOTES:

- ① FASCIA COVER PROVIDED WITH 1" LAP JOINT
- ② TYPICALLY COVERAGE SHOULD EXTEND A MIN. OF 1" BELOW WOOD BLOCKING IF APPLICABLE.

MATERIAL:

- ___ 24 Ga. Galvanized Steel
- ___ 22 Ga. Galvanized Steel
- ___ .040" Aluminum
- ___ Other _____

Color: _____

Finish: _____

QUANTITIES:

- _____ Lineal Feet 12'-0" Lengths
- _____ Outside Miters @ 90° (Cover Only)
- _____ Inside Miters @ 90° (Cover Only)

For Non-90° Miters, See Print Approval #16010-2320

FASCIA DIMENSIONS

PRODUCT ID. NO.	H DIM	COVERAGE
<input type="checkbox"/> ESE-S40	4"	2"
<input type="checkbox"/> ESE-S50	5"	3"
<input type="checkbox"/> ESE-S65	6 1/2"	4 1/2"
<input type="checkbox"/> ESE-S80	8"	6"

Fabrication will proceed only after receipt of signed print approval.

Print Approval:

Architect and/or contractor shall verify all dimensions, sizes and quantities. All products to be installed in strict accordance Johns Manville's printed instructions.

Approved by: _____

Date: _____

PROJECT:

ARCHITECT:

ROOFING CONTRACTOR:

REPRESENTATIVE/DISTRIBUTOR:

51 Lexington Street; Lewiston, ME 04240
 CUSTOMER SERVICE: 800-223-8317 USA
 800-445-1500 Canada
 TECHNICAL SERVICE: 800-445-1500 USA & Canada
 FAX: 207-784-0125
 OTHER AREAS CALL: 207-784-0123



DATE: 11/30/18

DRN BY: JJC

CKD BY: SAK

SHT.# ___ OF ___

DWG# 16010-12287 |