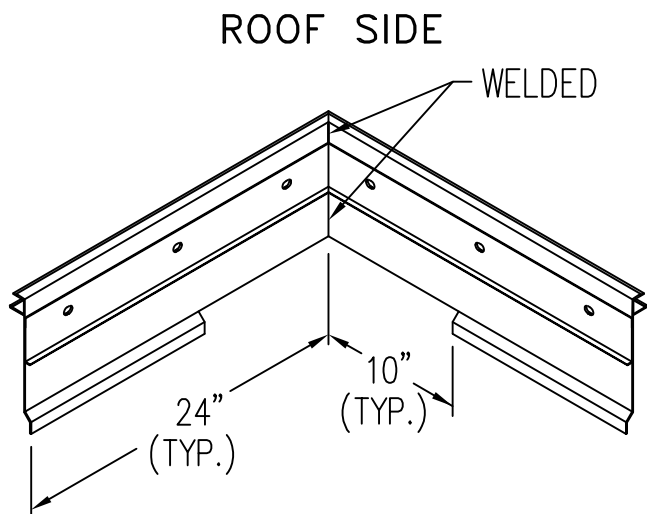


SECUREDGE 2000 HG FASCIA

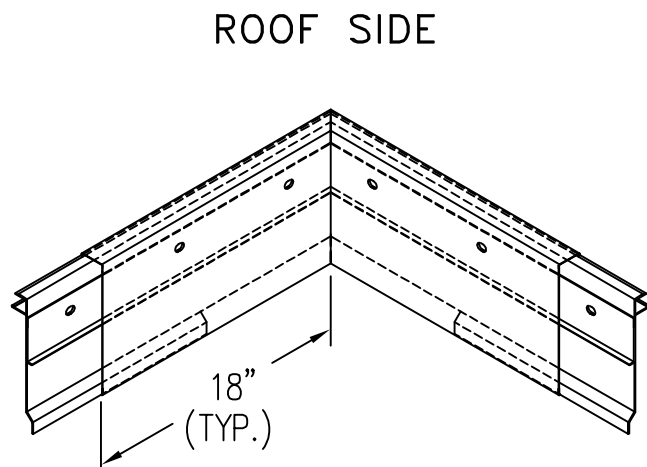
FOR .050" & .063" ALUM. COVERS & FULLY ADHERED OR MECHANICALLY ATTACHED SINGLE-PLY ROOF SYSTEMS

MITERS - FACTORY WELDED CONSTRUCTION

INSIDE MITER

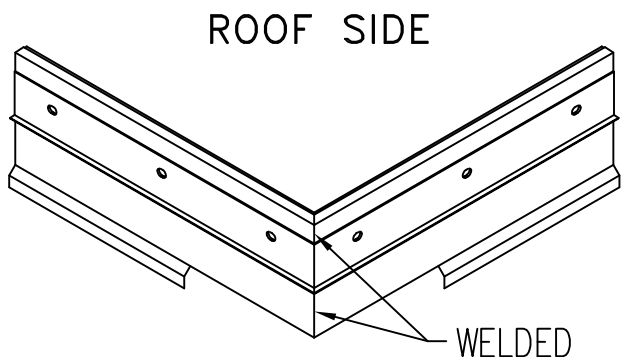


1-PC. ANCHOR-BAR

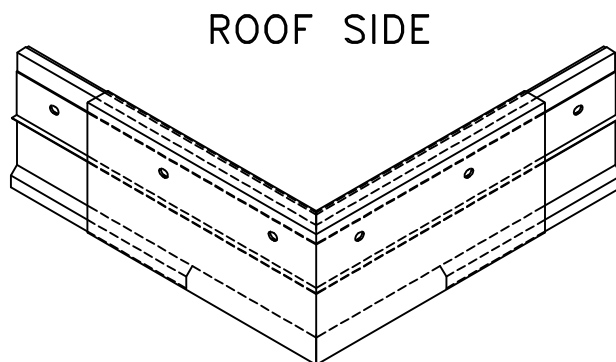


1-PC. COVER
FASTENERS INCLUDED

OUTSIDE MITER



1-PC. ANCHOR-BAR



1-PC. COVER

NOTE: WOOD NAILERS REQUIRED.

PROJECT	Customer Service 888-666-4369 (Metal-Era)
ARCHITECT	
ROOFING CONTRACTOR	
REPRESENTATIVE/DISTRIBUTOR	



DATE: 04/13/07
DRN BY: JJC
CKD BY: SAK

SHT.# ___ OF ___
DWG# 15510-5564 **A**