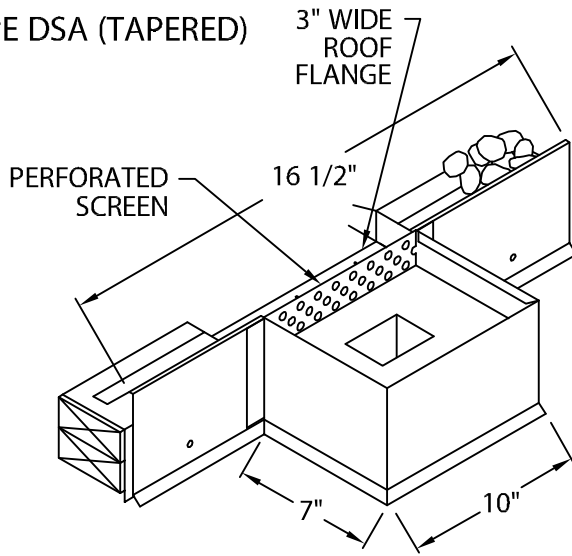


# SECUREDGE SYSTEM 200 FASCIA SCUPPERS

CRIMP-ON VERSION

## SCUPPERS - FACTORY WELDED CONSTRUCTION

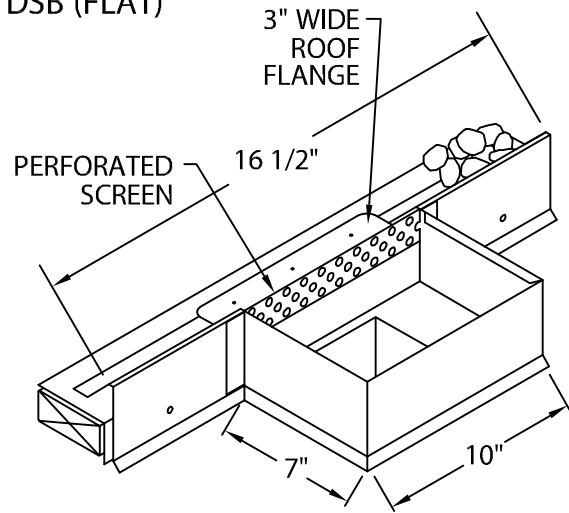
**DOWNSPOUT SCUPPER  
TYPE DSA (TAPERED)**



FOR USE WITH TAPERED EDGE STRIP.  
FLANGE LOWERED 1-1/2" (38 mm).

**NOTE : SPECIFY TUBE SIZE**

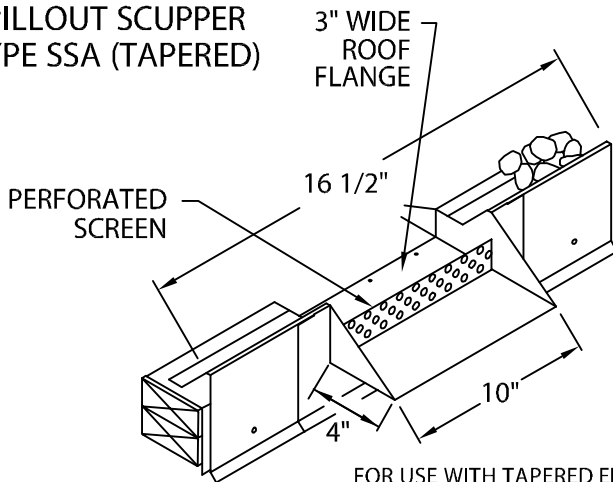
**DOWNSPOUT SCUPPER  
TYPE DSB (FLAT)**



FOR USE WITHOUT TAPERED EDGE STRIP.  
FLANGE FLUSH MOUNTED WITH ROOF.

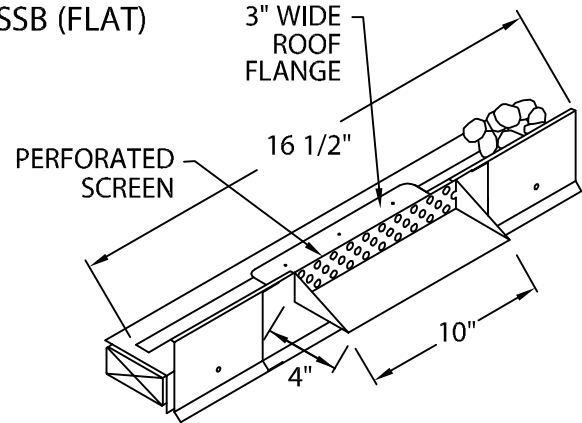
**NOTE :  
SPECIFY TUBE SIZE**

**SPILLOUT SCUPPER  
TYPE SSA (TAPERED)**



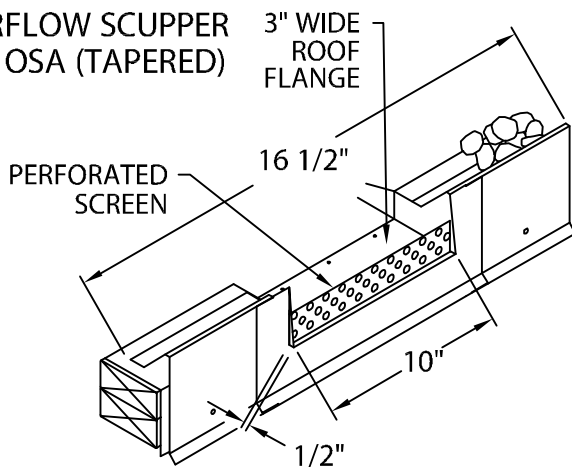
FOR USE WITH TAPERED EDGE STRIP.  
FLANGE LOWERED 1-1/2" (38 mm).

**SPILLOUT SCUPPER  
TYPE SSB (FLAT)**



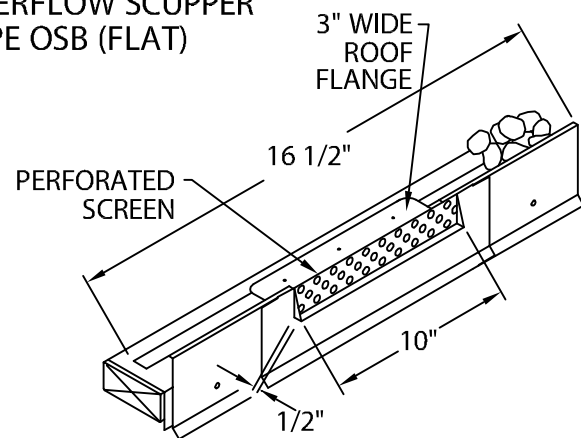
FOR USE WITHOUT TAPERED EDGE STRIP.  
FLANGE FLUSH MOUNTED WITH ROOF.

**OVERFLOW SCUPPER  
TYPE OSA (TAPERED)**



FOR USE WITH TAPERED EDGE STRIP.  
FLANGE LOWERED 1-1/2" (38 mm).

**OVERFLOW SCUPPER  
TYPE OSB (FLAT)**



FOR USE WITHOUT TAPERED EDGE STRIP.  
FLANGE FLUSH MOUNTED WITH ROOF.