

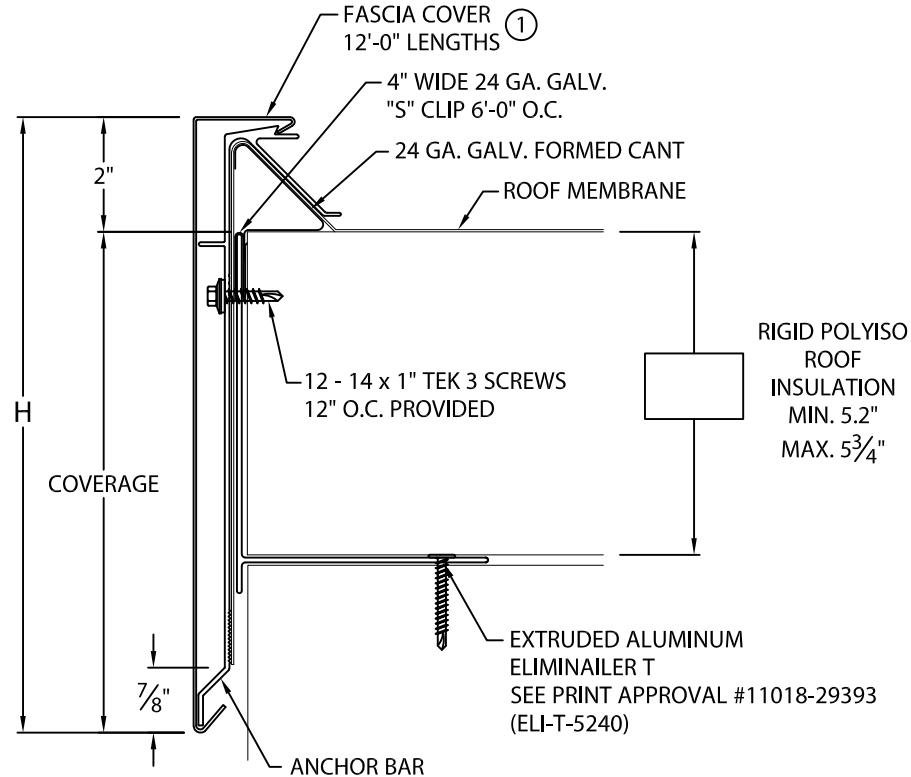


# ANCHOR-TITE CANTED FOR USE WITH ELIMINAILER®-T

5.2", 4" FLANGE ELIMINAILER VERSION

FOR USE WITH METAL DECK

U.S. PATENT # 9,878,023 B1



## NOTES:

① FASCIA COVER PROVIDED WITH 3 1/2" WIDE SPLICE PLATES.

## CANTED COVER MATERIAL:

- \_\_\_ 22 GA. GALVANIZED STEEL
- \_\_\_ .050" ALUMINUM
- \_\_\_ .063" ALUMINUM
- \_\_\_ OTHER \_\_\_\_\_

## ANCHOR-TITE CANTED DIMENSIONS

PRODUCT ID. NO.	H DIM	COVERAGE
<input type="checkbox"/> T-AEFC-100	10"	8"

COLOR: \_\_\_\_\_ FINISH: \_\_\_\_\_

## QUANTITIES:

- \_\_\_\_\_ LINEAL FEET 12'-0" LENGTHS
- \_\_\_\_\_ OUTSIDE MITER(S) @ 90°
- \_\_\_\_\_ INSIDE MITER(S) @ 90°
- \_\_\_\_\_ OVERFLOW SCUPPER(S) STYLE \_\_\_A\_\_\_B
- \_\_\_\_\_ SPILLOUT SCUPPER(S) STYLE \_\_\_A\_\_\_B
- \_\_\_\_\_ DOWNSPOUT(S) STYLE \_\_\_A\_\_\_B (\_\_\_x\_\_\_) DOWNSPOUT SIZE  
A: TAPERED 1 1/2" DROP B: FLAT

FOR NON-90 MITERS SEE PRINT APPROVAL #11010-1103

Fabrication will proceed only after receipt of signed print approval.

## Print Approval:

Architect and/or contractor shall verify all dimensions, sizes and quantities. All products to be installed in strict accordance with Metal-Era's printed instructions.

Approved by: \_\_\_\_\_

Date: \_\_\_\_\_

## PROJECT:

## ARCHITECT:

## ROOFING CONTRACTOR:

## REPRESENTATIVE/DISTRIBUTOR:

Corporate Offices, Manufacturing  
1600 Airport Road; Waukesha, WI 53188  
Phone: 800-558-2162  
Fax: 800-373-9156  
www.metalera.com



DATE: 08/30/18

DRN BY: JJC

CKD BY: SAK

SHT.# \_\_\_ OF \_\_\_

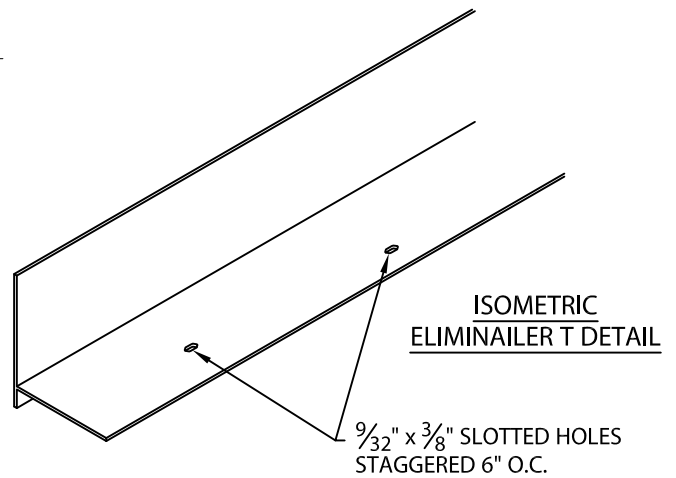
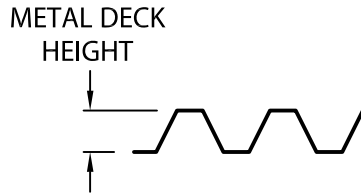
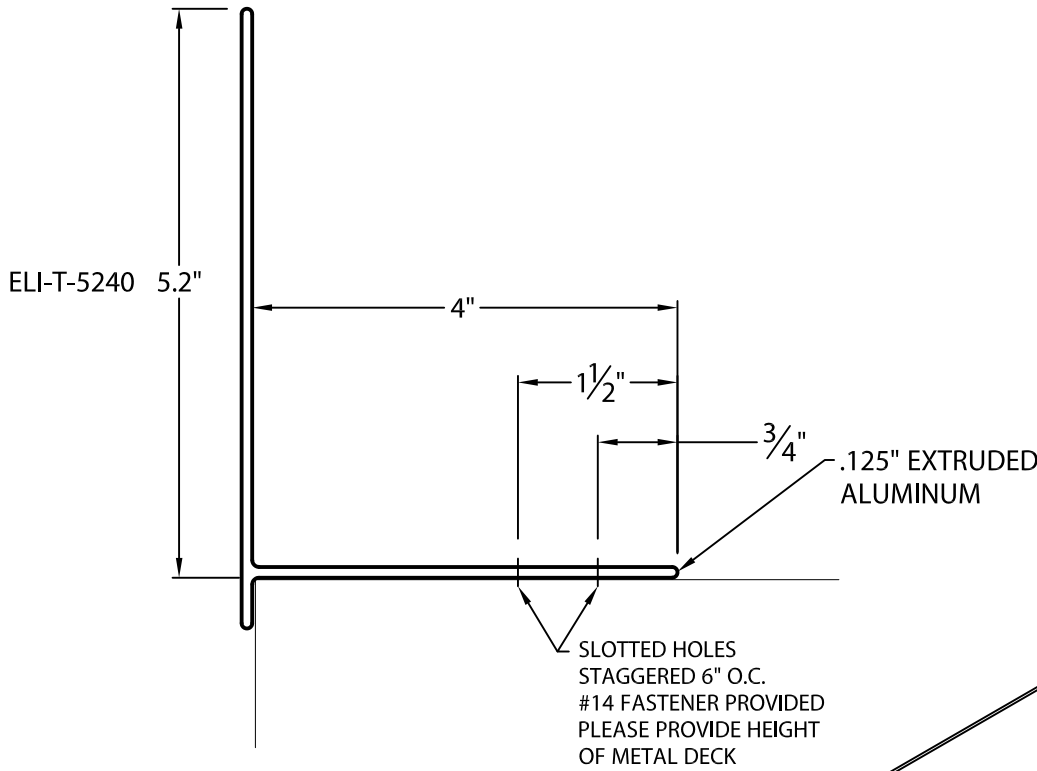
DWG# 11010-29634

**A**

# ELIMINAILER®-T

FOR USE WITH METAL DECK, 5.2", 4" FLANGE VERSION

U.S. PATENT # 9,878,023 B1



Fabrication will proceed only after receipt of signed print approval.

## Print Approval:

Architect and/or contractor shall verify all dimensions, sizes and quantities. All products to be installed in strict accordance with Metal-Era's printed instructions.

Approved by: \_\_\_\_\_

Date: \_\_\_\_\_

METAL DECK (22 GA. OR 20 GA. ONLY):

METAL DECK HEIGHT: \_\_\_\_\_

### QUANTITIES:

\_\_\_\_\_ LINEAL FEET 12'-0" LENGTHS

PROJECT:

ARCHITECT:

ROOFING CONTRACTOR:

REPRESENTATIVE/DISTRIBUTOR:

Corporate Offices, Manufacturing  
1600 Airport Road; Waukesha, WI 53188  
Phone: 800-558-2162  
Fax: 800-373-9156  
www.metalera.com



DATE: 07/30/18

DRN BY: JJC

CKD BY: SAK

SHT.# \_\_\_\_ OF \_\_\_\_

DWG# 11018-29393

A