

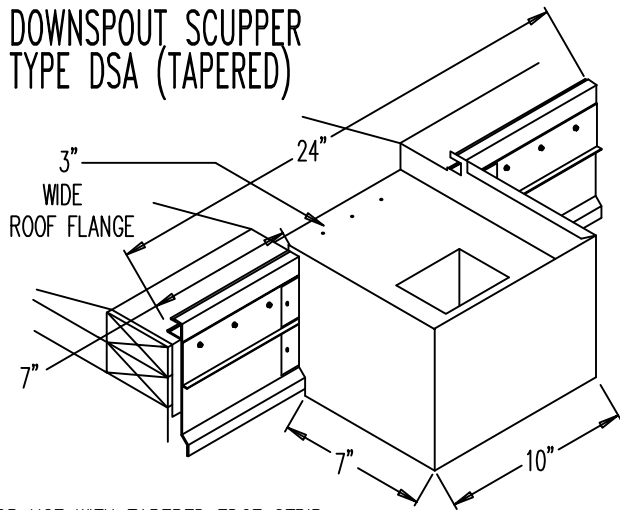
FIBERTITE AT HG FASCIA - SCUPPERS

FOR .050" & .063" ALUM. COVERS & FULLY ADHERED OR MECHANICALLY ATTACHED SINGLE-PLY ROOF SYSTEMS

NOTE: WOOD NAILERS REQUIRED.

SCUPPERS -- FACTORY WELDED CONSTRUCTION

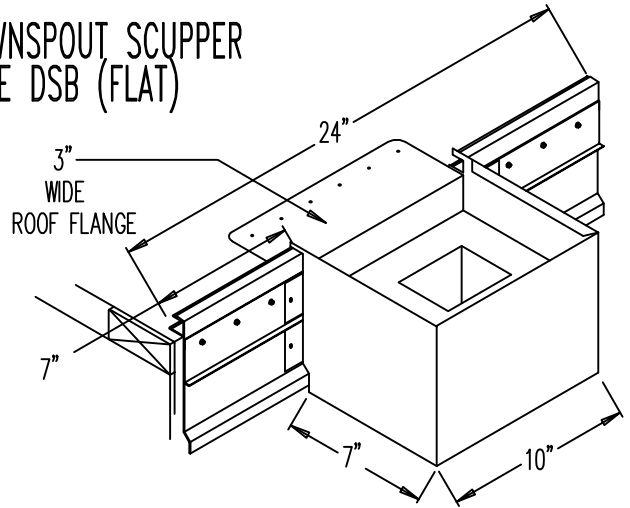
DOWNSPOUT SCUPPER TYPE DSA (TAPERED)



FOR USE WITH TAPERED EDGE STRIP.
FLANGE LOWERED 1-1/2\".

NOTE : SPECIFY TUBE SIZE

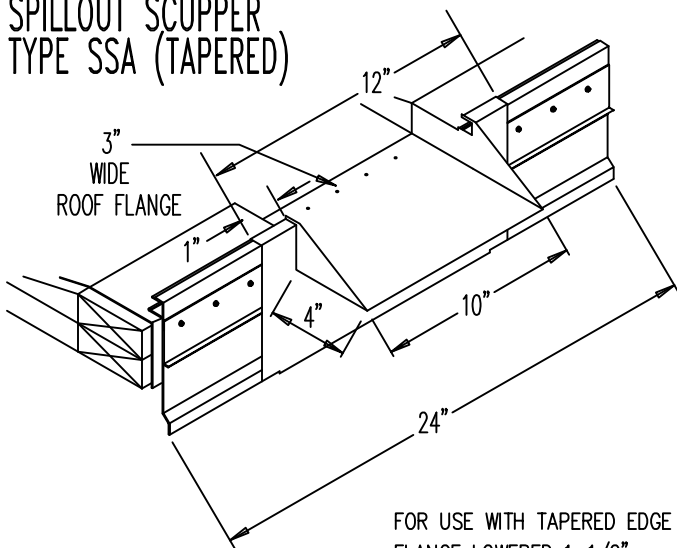
DOWNSPOUT SCUPPER TYPE DSB (FLAT)



FOR USE WITHOUT TAPERED EDGE STRIP.
FLANGE FLUSH MOUNTED WITH ROOF.

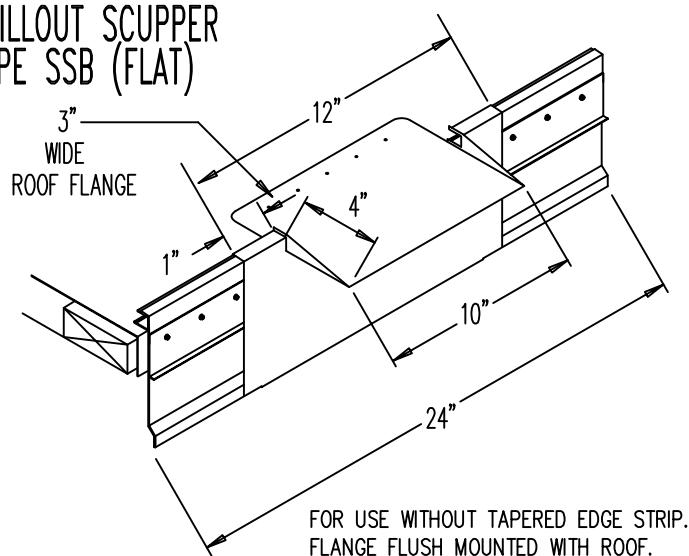
NOTE : SPECIFY TUBE SIZE

SPILOUT SCUPPER TYPE SSA (TAPERED)



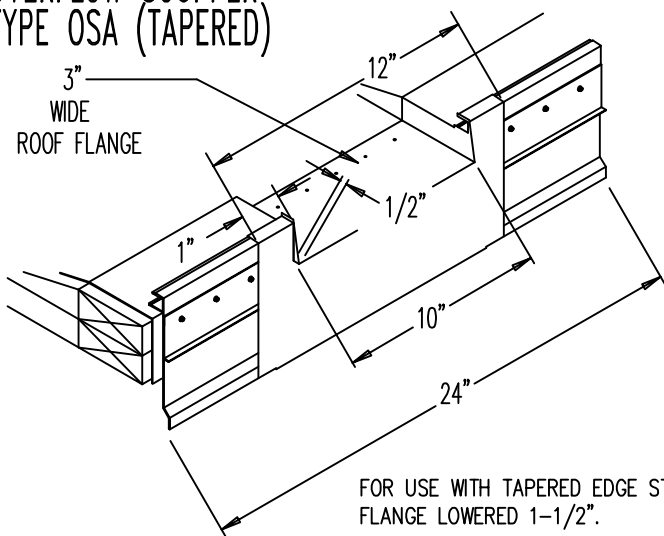
FOR USE WITH TAPERED EDGE STRIP.
FLANGE LOWERED 1-1/2\".

SPILOUT SCUPPER TYPE SSB (FLAT)



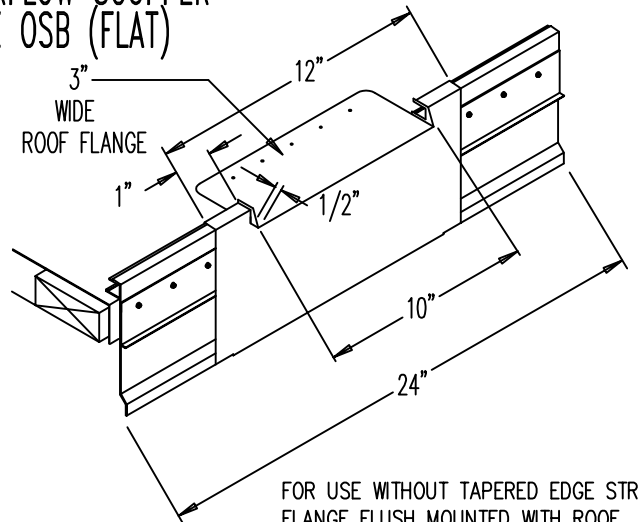
FOR USE WITHOUT TAPERED EDGE STRIP.
FLANGE FLUSH MOUNTED WITH ROOF.

OVERFLOW SCUPPER TYPE OSA (TAPERED)



FOR USE WITH TAPERED EDGE STRIP.
FLANGE LOWERED 1-1/2\".

OVERFLOW SCUPPER TYPE OSB (FLAT)



FOR USE WITHOUT TAPERED EDGE STRIP.
FLANGE FLUSH MOUNTED WITH ROOF.