

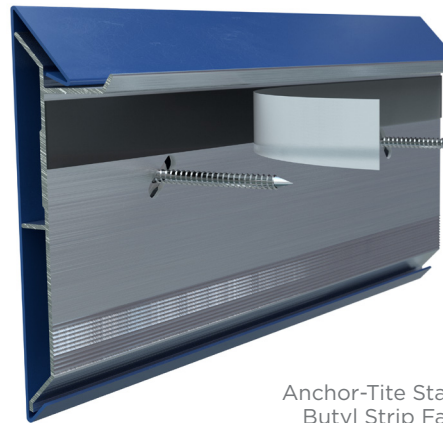
## MAXIMUM PROTECTION WITH REDUCED INSTALLATION TIMES

Anchor-Tite® Fascia with factory-applied butyl strip provides your single-ply roof system with the maximum protection against wind up-lift damage and water permeation. Get the reassurance you need that your water cut-off is being applied properly and the convenience of mess free, easy installation. Reduce your water cut-off setup and application time in half with this one of a kind edge metal solution.

### Pre-Installed Butyl Strip is Available On:

- Anchor-Tite Standard Fascia Single-Ply
- Anchor-Tite HG Fascia Single-Ply

NOTE: Pre-applied butyl strip is not available on accessories or radius fascia.



Anchor-Tite Standard  
Butyl Strip Fascia

### ANCHOR-TITE BUTYL STRIP FASCIA AT-A-GLANCE

Eliminate Water Cut-Off Application on Job Site

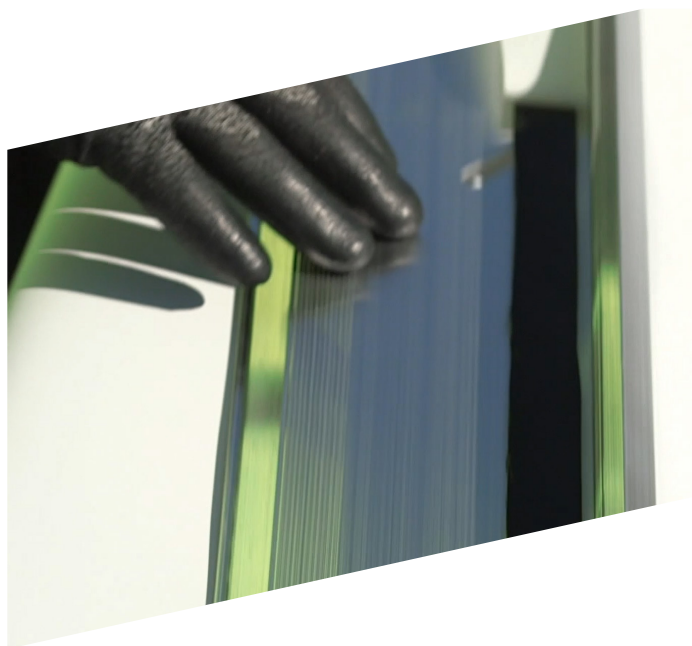
Consistent Water Cut-Off Application & Protection

EPDM & TPO Compatible

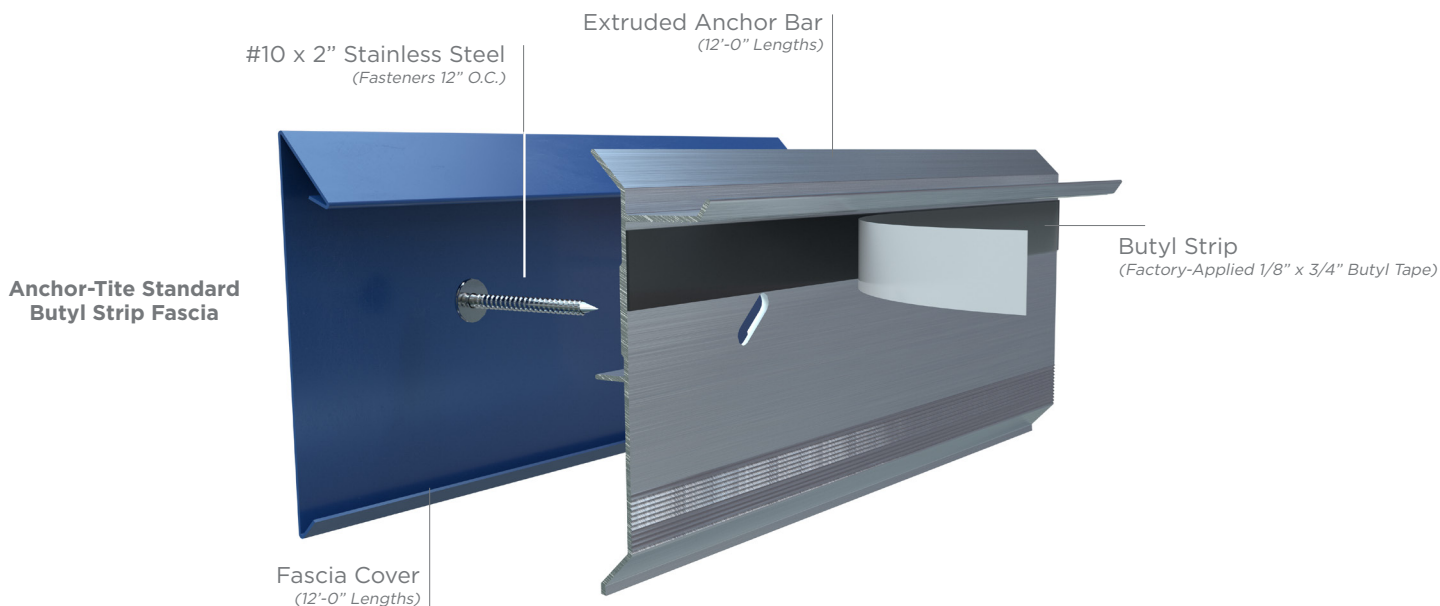
215 MPH Lifetime Wind Warranty

ANSI/SPRI/FM 4435/ES-1 Tested

FM & Miami-Dade County Approved

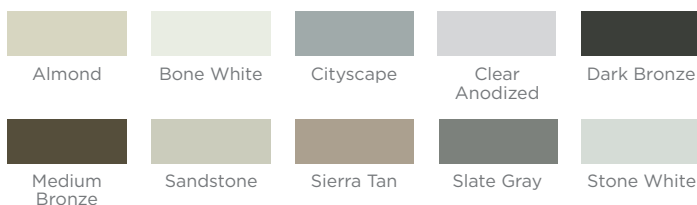


| VERSIONS   | STANDARD SIZES  | COVER MATERIALS  |
|--|---|--|
| <ul style="list-style-type: none"> <li>Standard Fully Adhered or Mechanically Attached Single-Ply</li> <li>HG Fully Adhered or Mechanically Attached Single-Ply</li> </ul> <p>Compatible with EPDM &amp; TPO</p> | <ul style="list-style-type: none"> <li>4"</li> <li>5.5"</li> <li>7"</li> <li>8.5"</li> <li>10" (HG only)</li> </ul> | <ul style="list-style-type: none"> <li>24 ga. Steel</li> <li>22 ga. Steel (HG only)</li> <li>.040" Aluminum</li> <li>.050" Aluminum (HG only)</li> <li>.063" Aluminum (HG only)</li> </ul> |



## 10 EXPRESS COLORS FOR QUICK SHIPPING

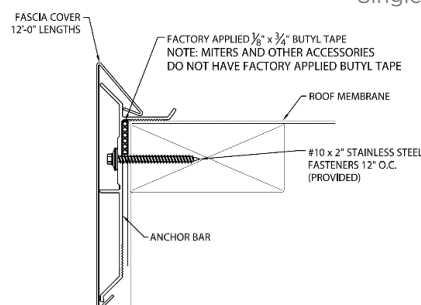
Express, standard, and premium colors and finishes are available to meet your job requirements and includes a 30-year Kynar 500® finish warranty on coil-coated standard colors. Custom colors are also available. For the most accurate color representation, contact us to request a paint chip.



All colors are also available in Mill Finish.

## EASY INSTALLATION

Typical Installation  
Standard Fully Adhered or Mechanically Attached Single-Ply Version



- Pre-installed butyl strip for fast water cut-off application
- Full snap-on cover w/ extruded aluminum bar
- No stripping-in or heat-welding typical with other systems
- Provided in 12' lengths with pre-punched holes for quicker installation