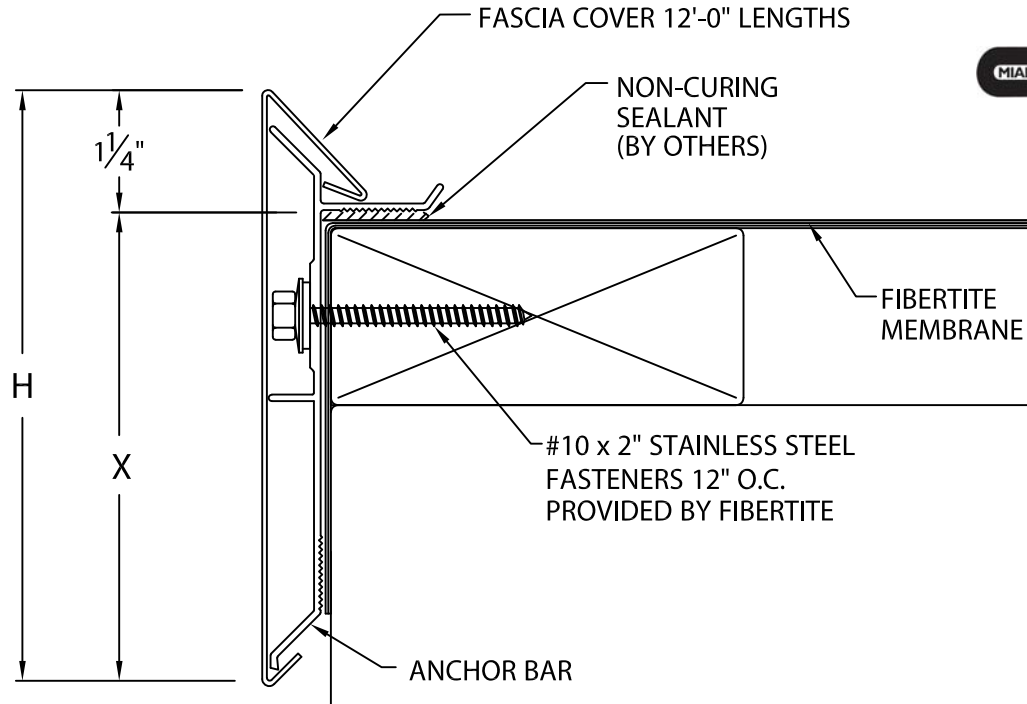




# FIBERTITE AT FASCIA

ANSI/SPRI ES-1 DESIGN PRESSURE OF UP TO 275 psf



## FIBERTITE AT FASCIA DIMENSIONS

| PRODUCT ID. NO.                 | H DIM  | X DIM  | NAILER COVERAGE |
|---------------------------------|--------|--------|-----------------|
| <input type="checkbox"/> F-2040 | 4"     | 2 3/4" | 1 NAILER        |
| <input type="checkbox"/> F-2055 | 5 1/2" | 4 1/4" | 2 NAILERS       |
| <input type="checkbox"/> F-2070 | 7"     | 5 3/4" | 3 NAILERS       |
| <input type="checkbox"/> F-2085 | 8 1/2" | 7 1/4" | 4 NAILERS       |

## MATERIAL:

\_\_\_ 24 Ga. Galv. Steel

\_\_\_ .040" Aluminum

\_\_\_ OTHER \_\_\_\_\_

Color: \_\_\_\_\_ Finish: \_\_\_\_\_

Fabrication will proceed only after receipt of signed print approval.

## Print Approval:

Architect and/or contractor shall verify all dimensions, sizes and quantities. All products to be installed in strict accordance with FiberTite's printed instructions.

Approved by: \_\_\_\_\_

Date: \_\_\_\_\_

## QUANTITIES:

\_\_\_\_\_ Lineal Feet 12'-0" Lengths

\_\_\_\_\_ Outside Miter(s) @ 90°

\_\_\_\_\_ Inside Miter(s) @ 90°

\_\_\_\_\_ Overflow Scupper Style \_\_\_A\_\_\_B

\_\_\_\_\_ Spillout Scupper Style \_\_\_A\_\_\_B

\_\_\_\_\_ Downspout Scupper Style \_\_\_A\_\_\_B

( \_\_\_X\_\_\_ ) Size A: Tapered 1 1/2" Drop  
B: Flat

FOR NON-90 MITERS SEE PRINT APPROVAL #23010-2417

PROJECT:

ARCHITECT:

ROOFING CONTRACTOR:

REPRESENTATIVE/DISTRIBUTOR:

Customer Service

1-800-355-6416



DATE: 03/05/19

DRN BY: ZS

CKD BY: SAK

SHT.# \_\_\_ OF \_\_\_

DWG# 23010-2413

H