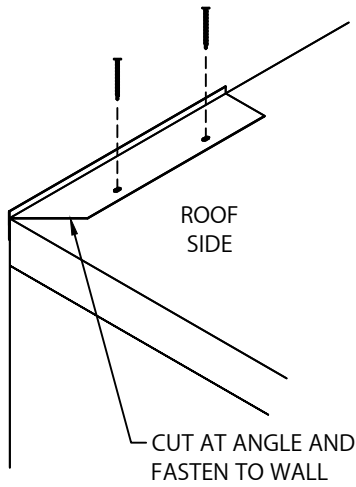


ELEVATE ANCHORGARD® NAILER-T

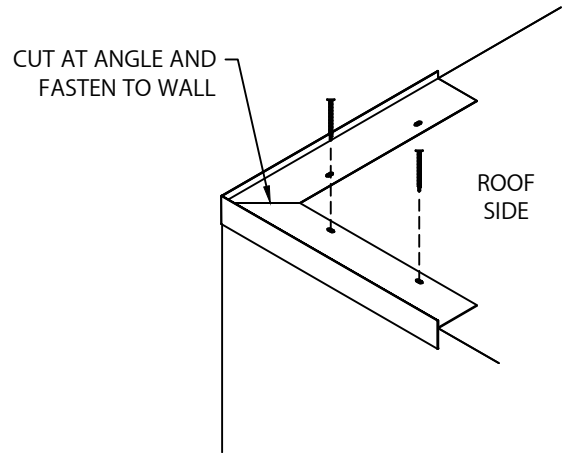
FLUTE FILL METAL ROOF VERSION

INSTALLATION INSTRUCTIONS



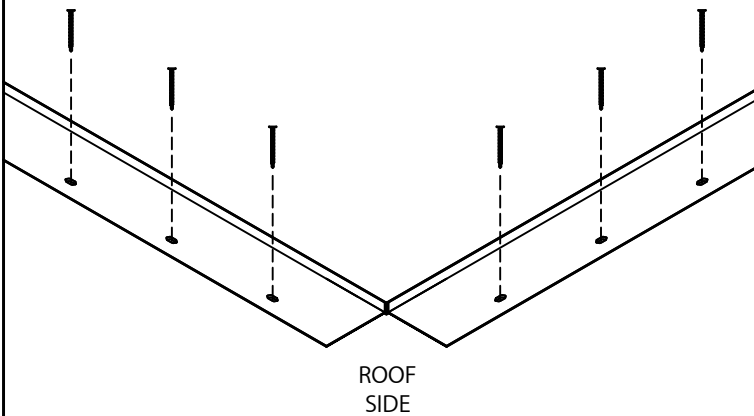
1. OUTSIDE MITER FABRICATION

CUT A PIECE OF NAILER-T (ANY LENGTH) ON AN ANGLE. FASTEN TO WALL 6" O.C. AT CORNER WITH PROVIDED FASTENERS.



2. OUTSIDE MITER FABRICATION

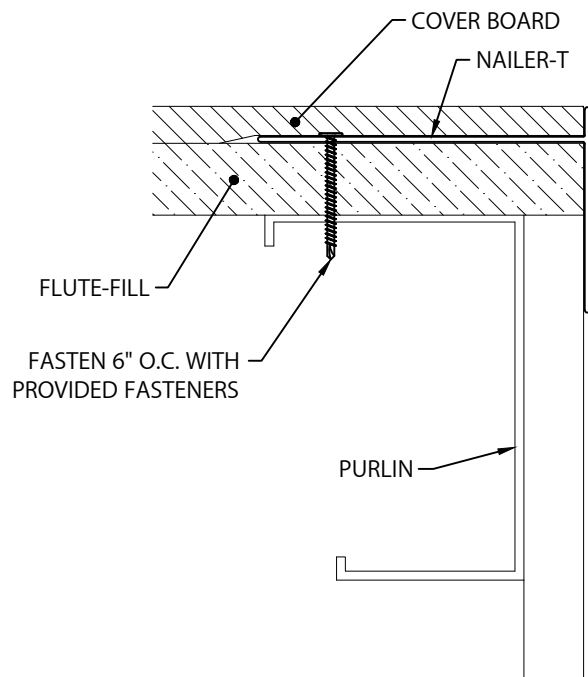
CUT A SECOND PIECE OF NAILER-T (ANY LENGTH) ON AN ANGLE TO FORM A COMPLETE MITER. FASTEN TO WALL AT CORNER WITH PROVIDED FASTENERS 6" O.C.



3. INSIDE MITERS

NO BAR CUTTING IS NEEDED FOR INSIDE MITERS. SIMPLY BUTT FULL SIZE BARS TIGHT INTO CORNER AND FASTEN TO WALL 6" O.C. WITH PROVIDED FASTENERS.

TYPICAL INSTALLATION



ELEVATE
26 CENTURY BLVD.
SUITE 205
NASHVILLE, TN 37214
CONTACT YOUR LOCAL ELEVATE REPRESENTATIVE

DATE: 03/23/23

DRN BY: MLM

CKD BY: MM

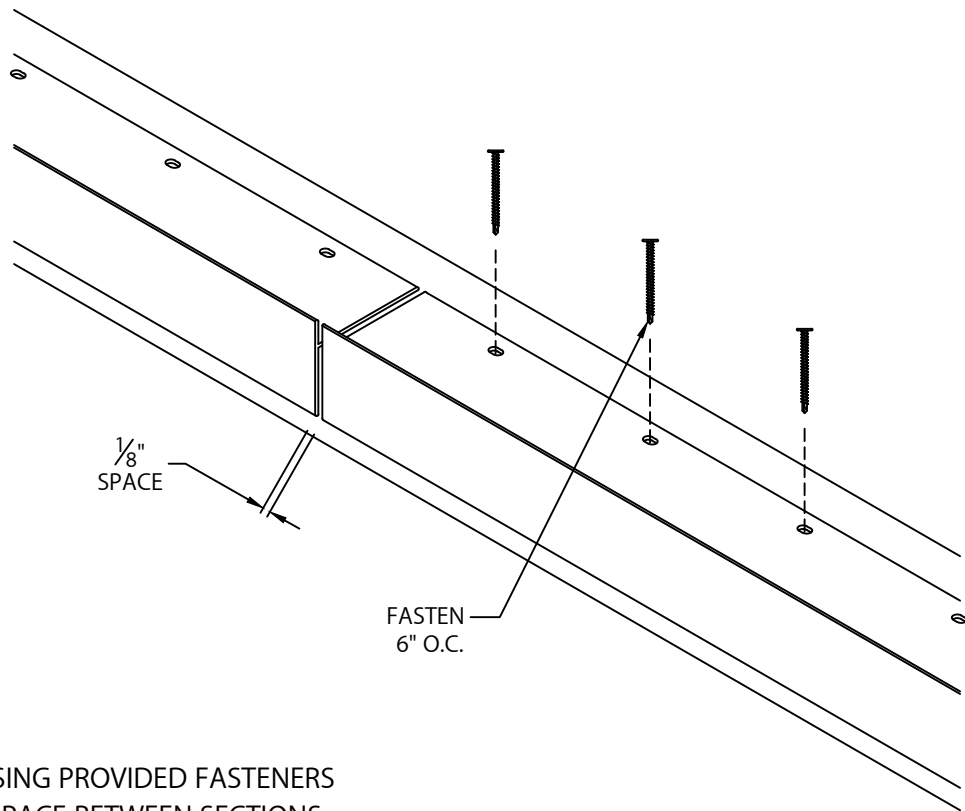
SHT.# 1 OF 2

DWG# 13118-31558

C

ELEVATE ANCHORGARD[®] NAILER-T

FLUTE FILL METAL ROOF VERSION



4. NAILER T

FASTEN NAILER-T USING PROVIDED FASTENERS
6" O.C. LEAVE A 1/8" SPACE BETWEEN SECTIONS.



ELEVATE
26 CENTURY BLVD.
SUITE 205
NASHVILLE, TN 37214

CONTACT YOUR LOCAL ELEVATE REPRESENTATIVE

DATE: 03/23/23

DRN BY: MLM

CKD BY: MM

SHT.# 2 OF 2

DWG# 13118-31558

C