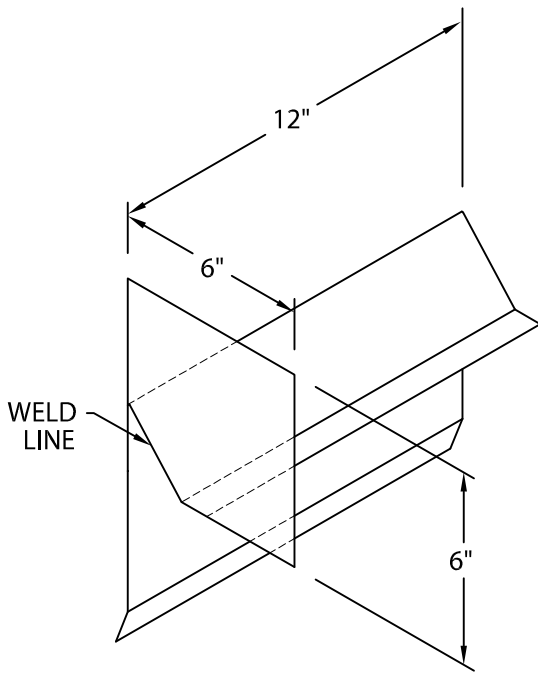


PERMA-TITE SYSTEM 300 FASCIA

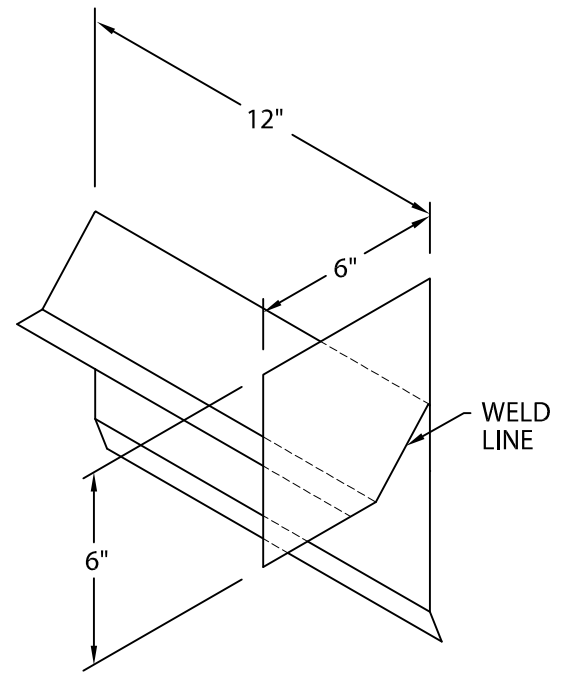
BUILT-UP OR MODIFIED APPLICATION, SNAP-ON VERSION

TYPICAL FASCIA ENDCAPS AND ENDWALL FLASHING

ENDWALL FLASHING



LEFT ENDWALL

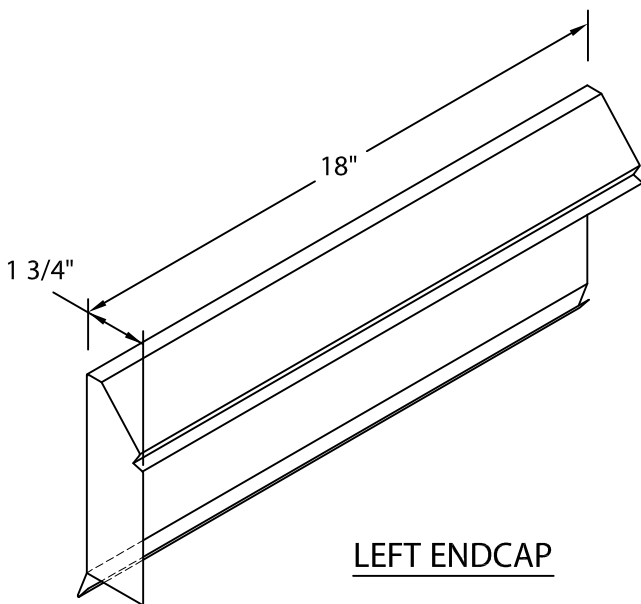


RIGHT ENDWALL

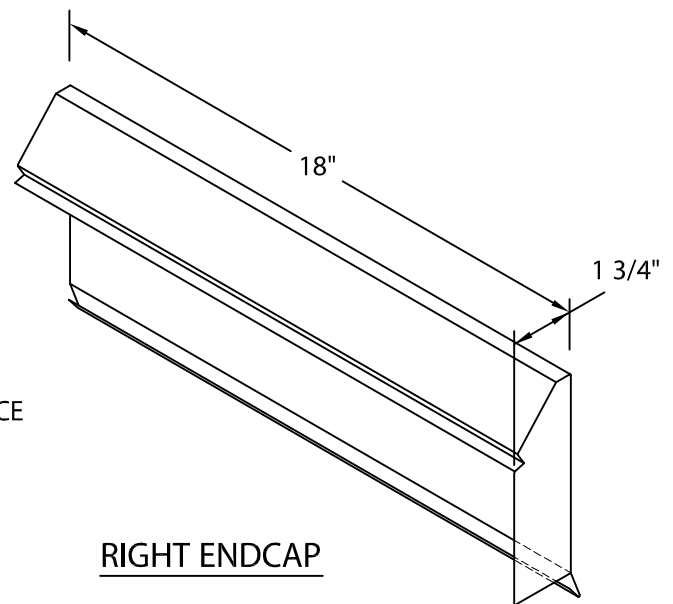
MATERIAL: .050 MILL FINISH

DIRECTION IS DETERMINED AS SEEN FROM ROOF SIDE

FASCIA ENDCAPS



LEFT ENDCAP



RIGHT ENDCAP

FASCIA COVER
INCLUDES SPLICE
PLATES

MATERIAL: SAME AS FASCA COVER

DIRECTION IS DETERMINED AS SEEN FROM ROOF SIDE



Phone: 800-558-2162

Fax: 800-373-9156

www.metalera.com

DATE: 07/20/11

DRN BY: JJC

CKD BY: SAK

SHT.# ___ OF ___

DWG# 11510-11215

B