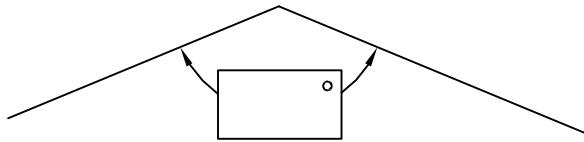


NON 90° GUTTER MITERS

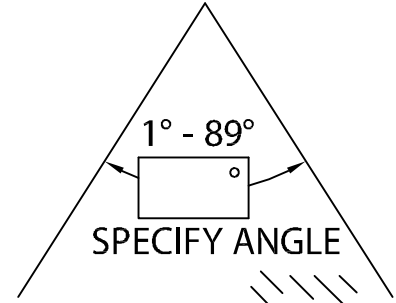
OUTSIDE MITER - OBTUSE



SPECIFY ANGLE 91° - 179°

- Standard Leg Lengths
 Custom Leg Lengths _____ Qty _____

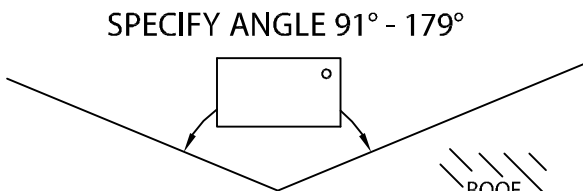
OUTSIDE MITER - ACUTE



SPECIFY ANGLE

- Standard Leg Lengths
 Custom Leg Lengths _____ Qty _____

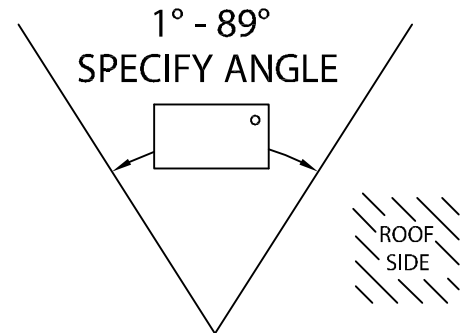
INSIDE MITER - OBTUSE



SPECIFY ANGLE 91° - 179°

- Standard Leg Lengths
 Custom Leg Lengths _____ Qty _____

INSIDE MITER - ACUTE



SPECIFY ANGLE

- Standard Leg Lengths
 Custom Leg Lengths _____ Qty _____

Fabrication will proceed only after receipt of signed print approval.

Print Approval:

Architect and/or contractor shall verify all dimensions, sizes and quantities. All products to be installed in strict accordance with Carlisle SynTec, Inc.'s printed instructions.

Approved by: _____

Date: _____

MATERIAL:

- 24 Ga. (.65 mm) Steel
 .040" (1.01 mm) Alum. Color: _____
 .050" (1.27 mm) Alum. Finish: _____
 .063" (1.60 mm) Alum.
 Other _____

PROJECT: _____

ARCHITECT: _____

ROOFING CONTRACTOR: _____

REPRESENTATIVE/DISTRIBUTOR: _____

Customer Service
866-458-3537
(Metal-Era)



DATE: 02/22/16

DRN BY: JJC

CKD BY: SAK

SHT.# _____ OF _____

DWG# 15012-23568

A