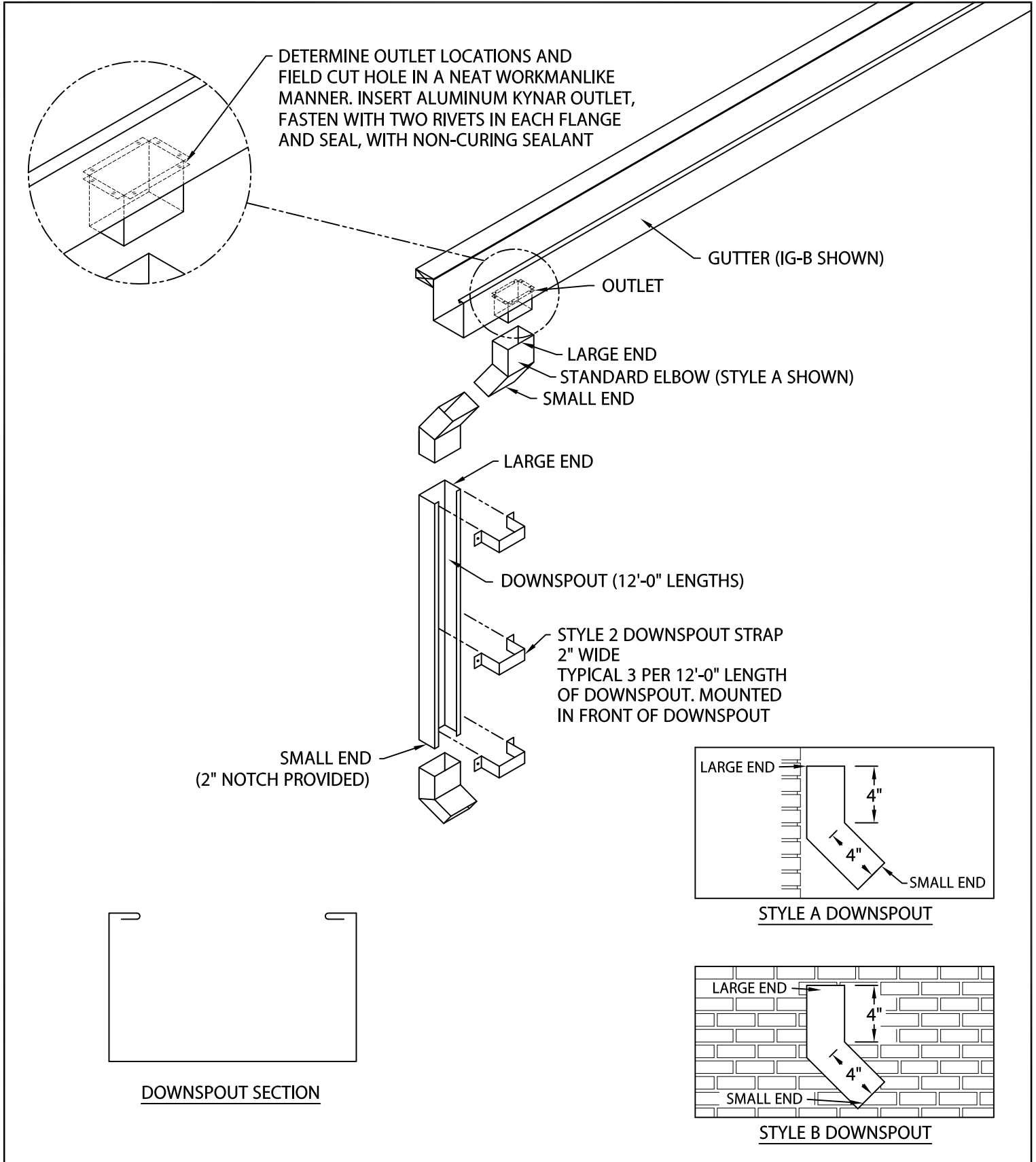


INDUSTRIAL DOWNSPOUT

OPEN DOWNSPOUT, STYLE 2 DOWNSPOUT STRAP VERSION

INSTALLATION INSTRUCTIONS



ELEVATE
26 CENTURY BLVD.
SUITE 205
NASHVILLE, TN 37214
CONTACT YOUR LOCAL ELEVATE REPRESENTATIVE

DATE: 04/20/23
DRN BY: MLM
CKD BY: MM

SHT.# ___ OF ___
DWG# 13113-24412

C