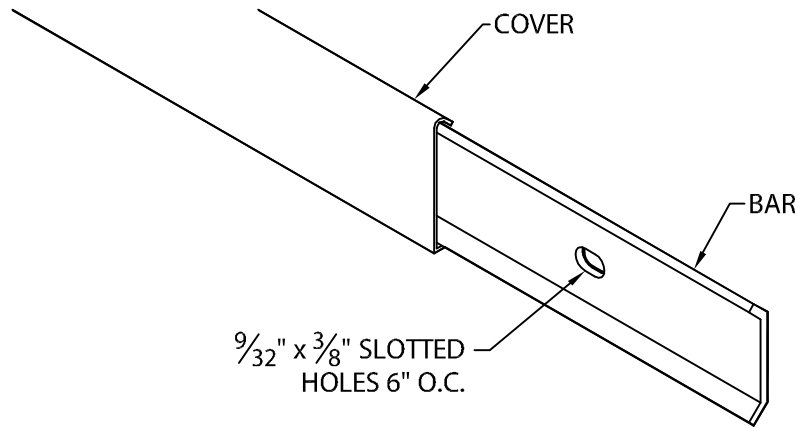
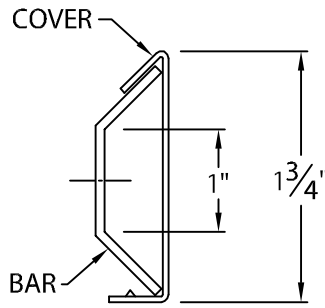


CB/CF-175 TERMINATION BAR

ANSI/SPRI ES-1 DESIGN PRESSURE OF 320 psf



COVER PROVIDED WITH 1" LAP JOINTS
 SLOTTED FASTENING HOLES $\frac{9}{32}$ " x $\frac{3}{8}$ " FURNISHED 6" O.C.
 NOTE: ALL MATERIAL .063" ALUMINUM UNLESS OTHERWISE NOTED

Fabrication will proceed only after receipt of signed print approval.

Print Approval:

Architect and/or contractor shall verify all dimensions, sizes and quantities. All products to be installed in strict accordance with FiberTite's printed instructions.

Approved by: _____

Date: _____

BAR MATERIAL: (CB-175F)

.063" ALUMINUM

COVER MATERIAL: (CF-175)

___ 24 GA. GALVANIZED STEEL

___ .040" ALUMINUM

COLOR: _____ FINISH: _____

QUANTITIES:

_____ BAR LINEAL FEET 12'-0" LENGTHS

_____ COVER LINEAL FEET 12'-0" LENGTHS

PROJECT:

ARCHITECT:

ROOFING CONTRACTOR:

REPRESENTATIVE/DISTRIBUTOR:

Customer Service

1-800-355-6416



DATE: 05/17/17

DRN BY: JJC

CKD BY: SAK

SHT.# ___ OF ___

DWG# 23016-26285

B