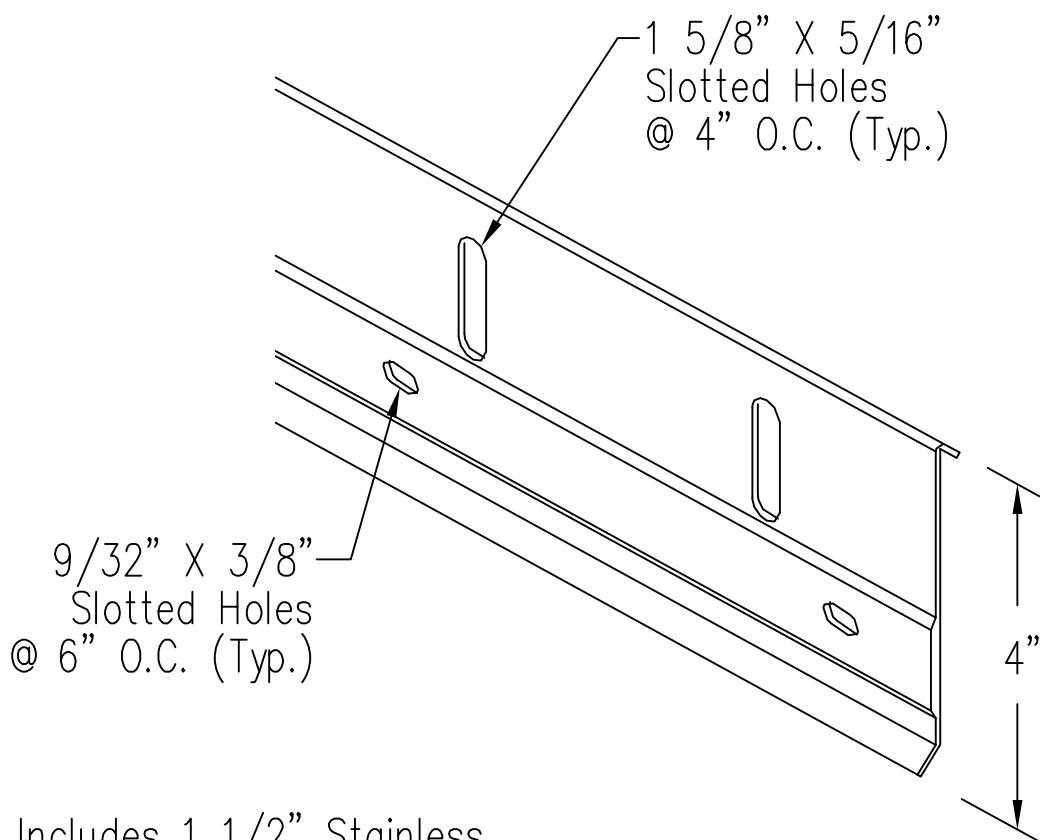


FLO-THRU BALLAST RETAINING BAR

CDB-40

Extruded 6063-T6
Mill Aluminum



Includes 1 1/2" Stainless
Steel Fasteners w/
Neoprene Washers

Fabrication will proceed only after receipt of signed print approval.

Print Approval:

Architect and/or contractor shall verify all dimensions, sizes, and quantities. All products to be installed in strict accordance with Carlisle SynTec, Inc. printed instructions.

Approved by: _____

Date: _____

QUANTITIES:

___ Tubes (250 LF/Tube)

___ Lineal Feet 10'-0"
(3.04m) Lengths

PROJECT

ARCHITECT

ROOFING CONTRACTOR

REPRESENTATIVE/DISTRIBUTOR

Customer Service
888-666-4369
(Metal-Era)



DATE: 12/05/06

DRN BY: JJC

CKD BY: SAK

SHT.# ___ OF ___

DWG# 15016-5024

A