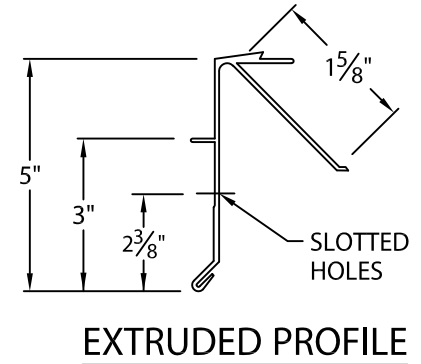
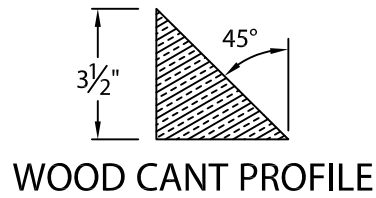
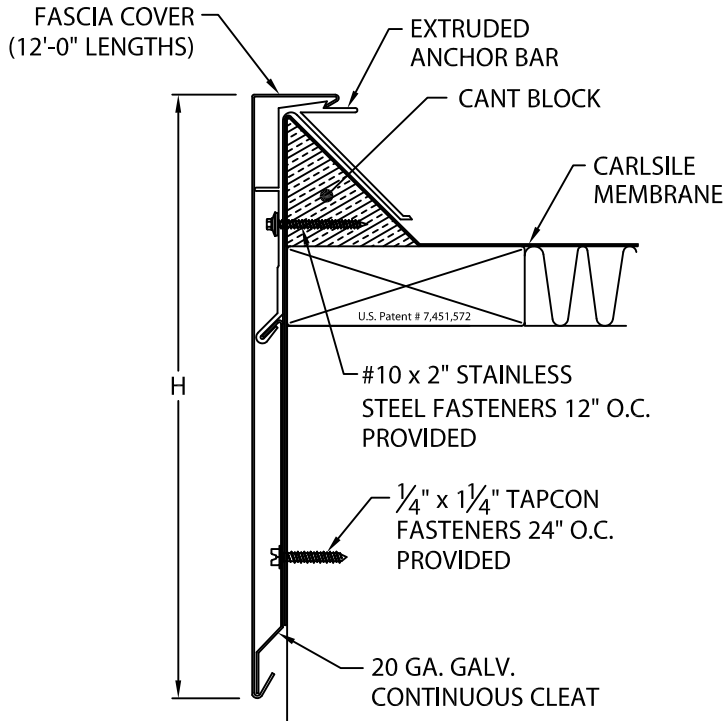


SECUREDGE 2000 EXTENDED CANTED FASCIA

EXISTING BEVELED WOOD NAILER VERSION

ANSI/SPRI ES-1 DESIGN PRESSURE OF 190 psf



NOTE: 3 1/2" SPLICE PLATES PROVIDED AT ALL JOINTS

SECUREDGE 2000 EXTENDED CANTED FASCIA DIMENSIONS

PRODUCT ID. NO.	H DIM
<input type="checkbox"/> AEFC-900	9"
<input type="checkbox"/> AEFC-1050	10 1/2"
<input type="checkbox"/> AEFC-1200	12"
<input type="checkbox"/> AEFC-1350	13 1/2"

MATERIAL:

___ 22 GA. GALV. STEEL ___ .063" ALUMINUM

___ .050" ALUMINUM ___ OTHER _____

COLOR: _____ FINISH: _____

Fabrication will proceed only after receipt of signed print approval.

Print Approval:

Architect and/or contractor shall verify all dimensions, sizes and quantities. All products to be installed in strict accordance with Carlisle SynTec, Inc.'s printed instructions.

Approved by: _____

Date: _____

QUANTITIES:

_____ LINEAL FEET 12'-0" LENGTHS

_____ OUTSIDE MITER(S) @ (90 °)

_____ INSIDE MITER(S) @ (90 °)

_____ OVERFLOW SCUPPER(S) STYLE ___A___B

_____ SPILLOUT SCUPPER(S) STYLE ___A___B

_____ DOWNSPOUT SCUPPER(S) STYLE ___A___B

(___X___) SIZE A: TAPERED 1 1/2" DROP
B: FLAT

FOR NON-90 MITERS SEE PRINT APPROVAL #15010-1625

PROJECT:

ARCHITECT:

ROOFING CONTRACTOR:

REPRESENTATIVE/DISTRIBUTOR:

Customer Service
866-458-3537
(Metal-Era)



DATE: 06/29/17

DRN BY: JAB

CKD BY: SAK

SHT.# ___ OF ___

DWG# 15010-1645

H