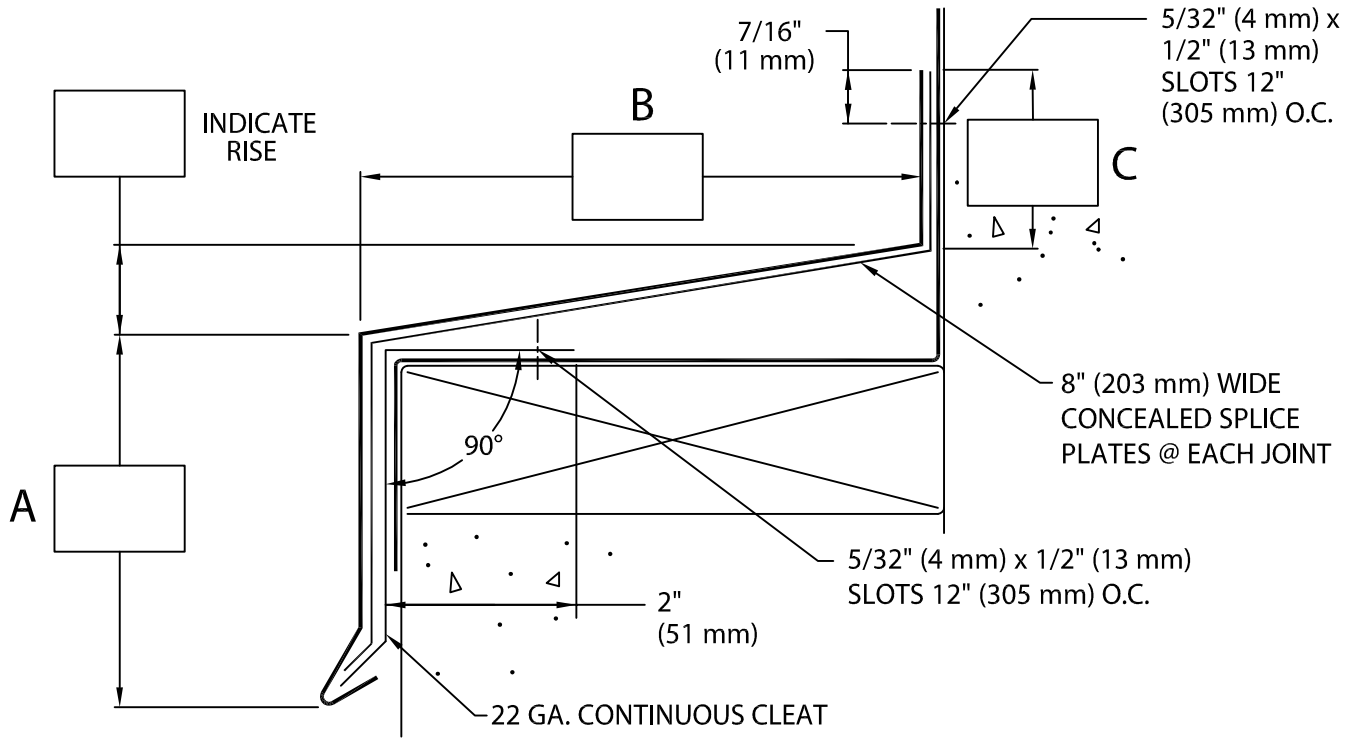


# PRESTO-LOCK / TITE BRICK / WALL CAP



-- Concealed splice plates must be field caulked to prevent water entry.

-- Unless otherwise noted, fabrication of miters and accessories are furnished standard utilizing a non-penetrating Quicklock joint, then factory sealed watertight.

Fabrication will proceed only after receipt of signed print approval.

## Print Approval:

Architect and/or contractor shall verify all dimensions, sizes and quantities. All products to be installed in strict accordance with Johns Manville's printed instructions.

Approved by: \_\_\_\_\_

Date: \_\_\_\_\_

-- Welded Miters and Accessories

Check one  Required (surcharge)  Not applicable

## MATERIAL:

\_\_\_ 24 Ga. (0.65 mm) Galv.

\_\_\_ .040" (1.01 mm) Alum.

\_\_\_ .050" (1.27 mm) Alum.

\_\_\_ .063" (1.60 mm) Alum.

\_\_\_ OTHER \_\_\_\_\_

Color: \_\_\_\_\_ Finish: \_\_\_\_\_

## QUANTITIES:

\_\_\_\_\_ Lineal Feet 12'-0" (3.65 m) Lengths

\_\_\_\_\_ Outside Miters @ (\_\_\_\_)° \_\_\_\_\_ Right End Caps

\_\_\_\_\_ Inside Miters @ (\_\_\_\_)° \_\_\_\_\_ Left End Caps

PROJECT:

ARCHITECT:

ROOFING CONTRACTOR:

REPRESENTATIVE/DISTRIBUTOR:

51 Lexington Street; Lewiston, ME 04240  
 CUSTOMER SERVICE: 800-223-8317 USA  
 800-445-1500 Canada  
 TECHNICAL SERVICE: 800-445-1500 USA & Canada  
 FAX: 207-784-0125  
 OTHER AREAS CALL: 207-784-0123

**JM** Johns Manville

DATE: 12/14/05

DRN BY: JJC

CKD BY: SAK

SHT.# \_\_\_\_ OF \_\_\_\_

DWG# 16014-2199

**A**