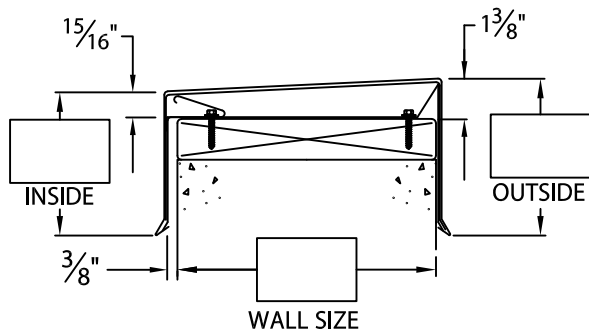
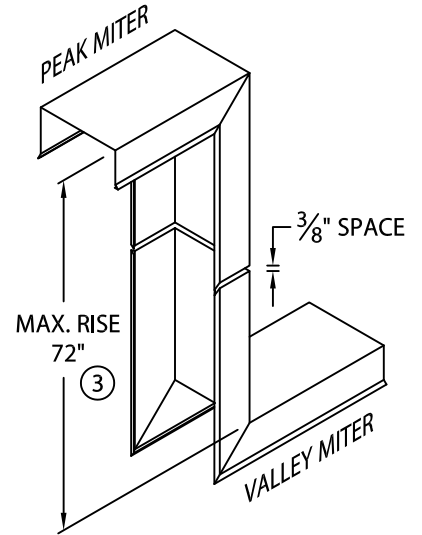
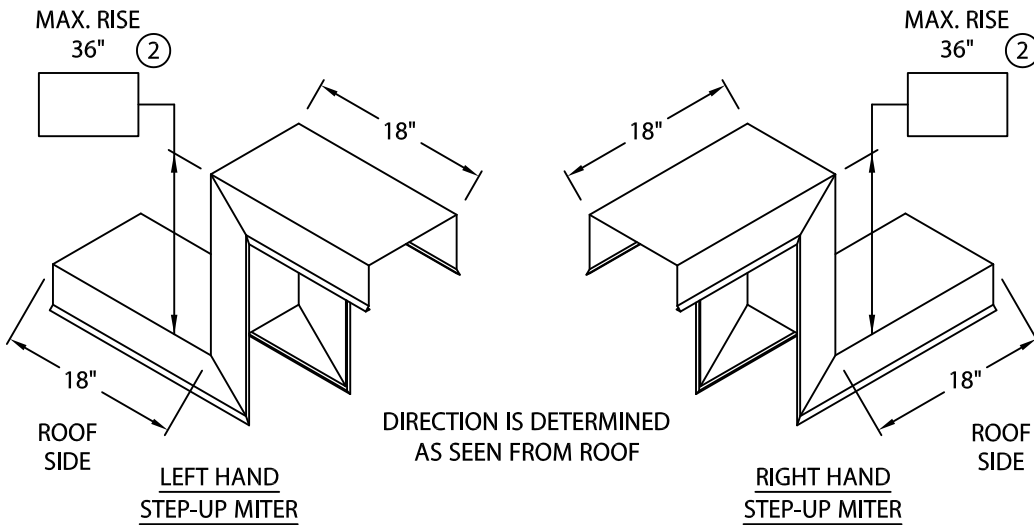


STEP-UP COPING MITERS



PEAK AND VALLEY MITERS
(SEE NOTES 2 & 3)



FOR CUSTOM LEG LENGTHS
MODIFY DRAWINGS ABOVE

NOTES:

- ① WELDED ACCESSORIES REQUIRE A MINIMUM MATERIAL THICKNESS OF .050".
- ② IF MAXIMUM RISE DIMENSION IS EXCEEDED, ACCESSORY WILL BE MANUFACTURED AS ONE 90° PEAK MITER AND ONE 90° VALLEY MITER.
- ③ IF RISE EXCEEDS 72", A STRAIGHT LENGTH WILL BE REQUIRED AND THE PEAK AND VALLEY MITERS REVERT BACK TO STANDARD 18" LENGTHS.

MATERIAL:

- ___ 24 GA. GALVANIZED STEEL
 - ___ 22 GA. GALVANIZED STEEL
 - ___ .040" ALUMINUM
 - ___ .050" ALUMINUM
 - ___ .063" ALUMINUM
 - ___ OTHER _____
- COLOR: _____
- FINISH: _____

QUANTITIES:

- ___ RIGHT HAND STEP-UP MITER
- ___ LEFT HAND STEP-UP MITER

SPECIFY ACCESSORY TYPE:

- WELDED ①
- QUICKLOCK

AUTHORIZED SIGNATURE:

APPROVED BY: _____

DATE: _____

PROJECT:

ARCHITECT:

ROOFING CONTRACTOR:

REPRESENTATIVE/DISTRIBUTOR:

CUSTOMER SERVICE
PHONE: 800-558-2162
FAX: 800-373-9156
WWW.METALERA.COM/GENFLEX



DATE: 9/27/21

DRN BY: MLM

CKD BY: MM

SHT.# ____ OF ____

DWG# 22011-19732

