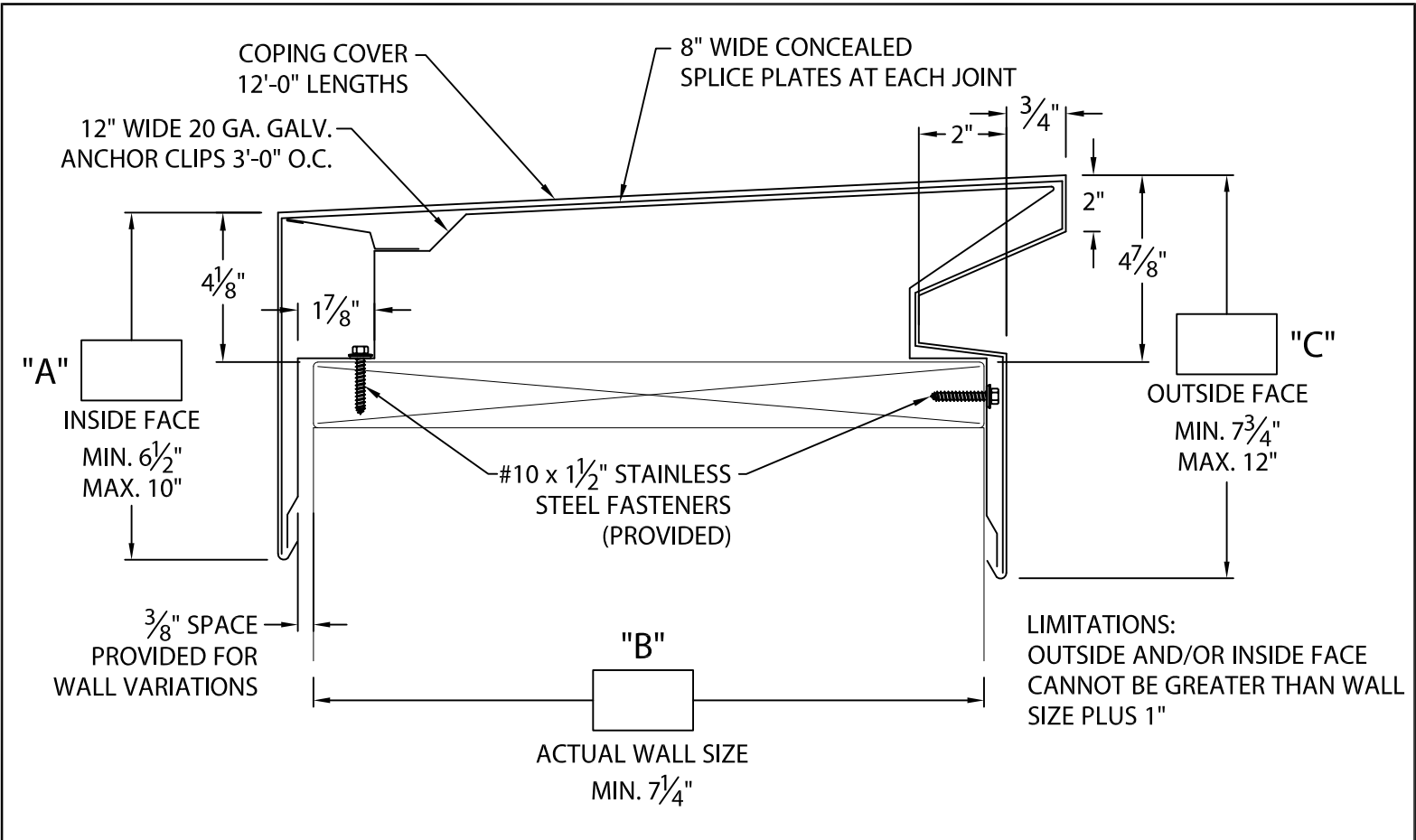


CREATIVE DESIGN REVEAL COPING

ANCHOR CLIPS 3'-0" O.C.



-- CONCEALED SPLICE PLATES ARE PROVIDED WITH FACTORY APPLIED NON-CURING SEALANT STRIPS.
 -- MITERS AND ACCESSORIES ARE NOT AVAILABLE WITH QUICKLOCK JOINTS. WELDED ONLY.

MATERIAL:
 ___ .050" ALUMINUM
 ___ .063" ALUMINUM
 ___ OTHER _____
 COLOR: _____ FINISH: _____

Fabrication will proceed only after receipt of signed print approval.

Print Approval:

Architect and/or contractor shall verify all dimensions, sizes and quantities. All products to be installed in strict accordance with Metal-Era's printed instructions.

Approved by: _____
 Date: _____

QUANTITIES:
 _____ LINEAL FEET 12'-0" LENGTHS
 _____ OUTSIDE MITERS @ 90° (WELDED)
 _____ INSIDE MITERS @ 90° (WELDED)
 _____ RIGHT ENDCAPS (WELDED)
 _____ LEFT ENDCAPS (WELDED)
 FOR NON-90° MITERS SEE PRINT APPROVAL #11011-1487

PROJECT:	Corporate Offices, Manufacturing 1600 Airport Road; Waukesha, WI 53188 Phone: 800-558-2162 Fax: 800-373-9156 www.metalera.com
ARCHITECT:	
ROOFING CONTRACTOR:	
REPRESENTATIVE/DISTRIBUTOR:	



DATE: 10/07/19	SHT.# _____ OF _____
DRN BY: JJC	DWG# 11011-17310
CKD BY: JAI	

H