

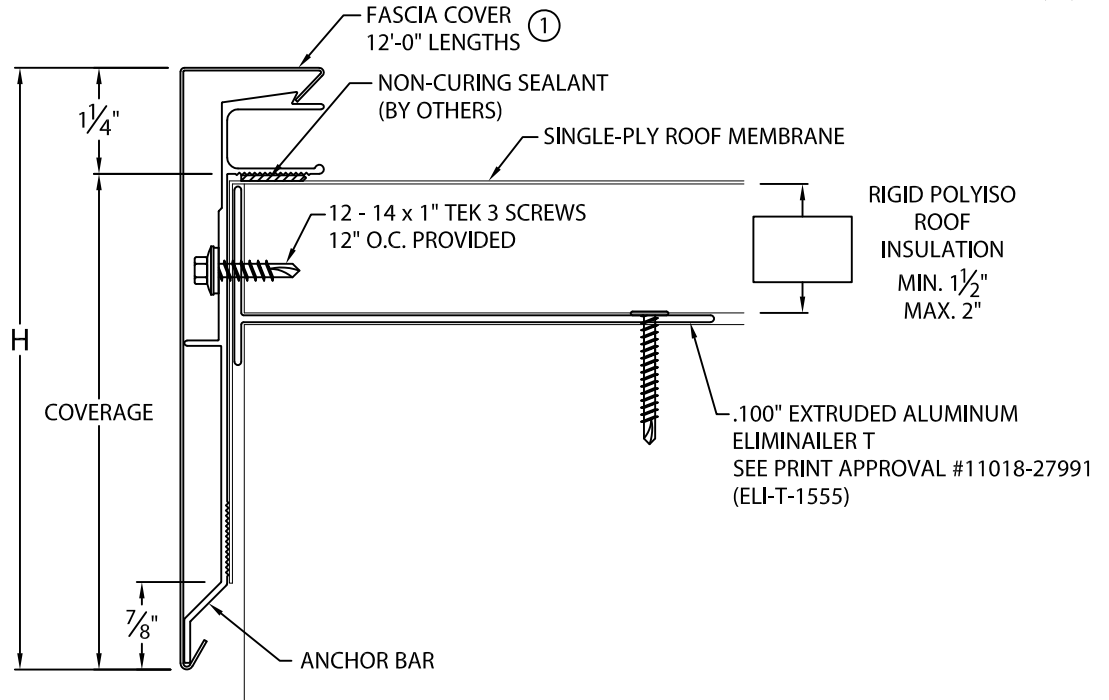


# ANCHOR-TITE HG FOR USE WITH ELIMINAILER®-T

1.5" ELIMINAILER VERSION

FOR USE WITH METAL DECK

U.S. PATENT # 9,878,023 B1



## NOTES:

- ① FASCIA COVER PROVIDED WITH 3 1/2" WIDE SPLICE PLATES.
- ② NOT AVAILABLE IN 24 GA. GALV. STEEL OR .040" ALUMINUM.

## ANCHOR-TITE HG DIMENSIONS

PRODUCT ID. NO.	H DIM	COVERAGE
<input type="checkbox"/> T-HG-AF-55	5 1/2"	4 1/4"
<input type="checkbox"/> T-HG-AF-70	7"	5 3/4"
<input type="checkbox"/> T-HG-AF-85	8 1/2"	7 1/4"
<input type="checkbox"/> T-HG-AF-100 ②	10"	8 3/4"

Fabrication will proceed only after receipt of signed print approval.

## Print Approval:

Architect and/or contractor shall verify all dimensions, sizes and quantities. All products to be installed in strict accordance with Metal-Era's printed instructions.

Approved by: \_\_\_\_\_

Date: \_\_\_\_\_

## HG COVER MATERIAL:

- \_\_\_\_ 24 GA. GALVANIZED STEEL      COLOR: \_\_\_\_\_
- \_\_\_\_ 22 GA. GALVANIZED STEEL      FINISH: \_\_\_\_\_
- \_\_\_\_ .040" ALUMINUM
- \_\_\_\_ .050" ALUMINUM
- \_\_\_\_ .063" ALUMINUM
- \_\_\_\_ OTHER \_\_\_\_\_

## QUANTITIES:

- \_\_\_\_\_ LINEAL FEET 12'-0" LENGTHS
  - \_\_\_\_\_ OUTSIDE MITER(S) @ 90°
  - \_\_\_\_\_ INSIDE MITER(S) @ 90°
  - \_\_\_\_\_ OVERFLOW SCUPPER(S)    STYLE \_\_\_\_A\_\_\_\_B
  - \_\_\_\_\_ SPILLOUT SCUPPER(S)    STYLE \_\_\_\_A\_\_\_\_B
  - \_\_\_\_\_ DOWNSPOUT(S)    STYLE \_\_\_\_A\_\_\_\_B (\_\_\_\_x\_\_\_\_) DOWNSPOUT SIZE
- A: TAPERED 1 1/2" DROP    B: FLAT

FOR NON-90 MITERS SEE PRINT APPROVAL #11010-1103

## PROJECT:

## ARCHITECT:

## ROOFING CONTRACTOR:

## REPRESENTATIVE/DISTRIBUTOR:

Corporate Offices, Manufacturing  
1600 Airport Road; Waukesha, WI 53188  
Phone: 800-558-2162  
Fax: 800-373-9156  
www.metalera.com



DATE: 03/15/18

DRN BY: JJC

CKD BY: SAK

SHT.# \_\_\_\_ OF \_\_\_\_

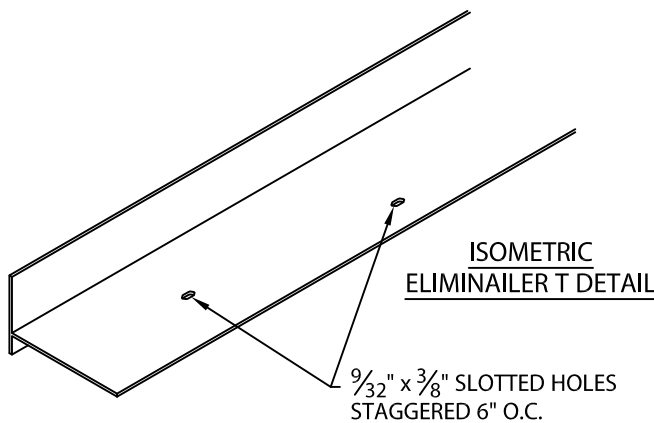
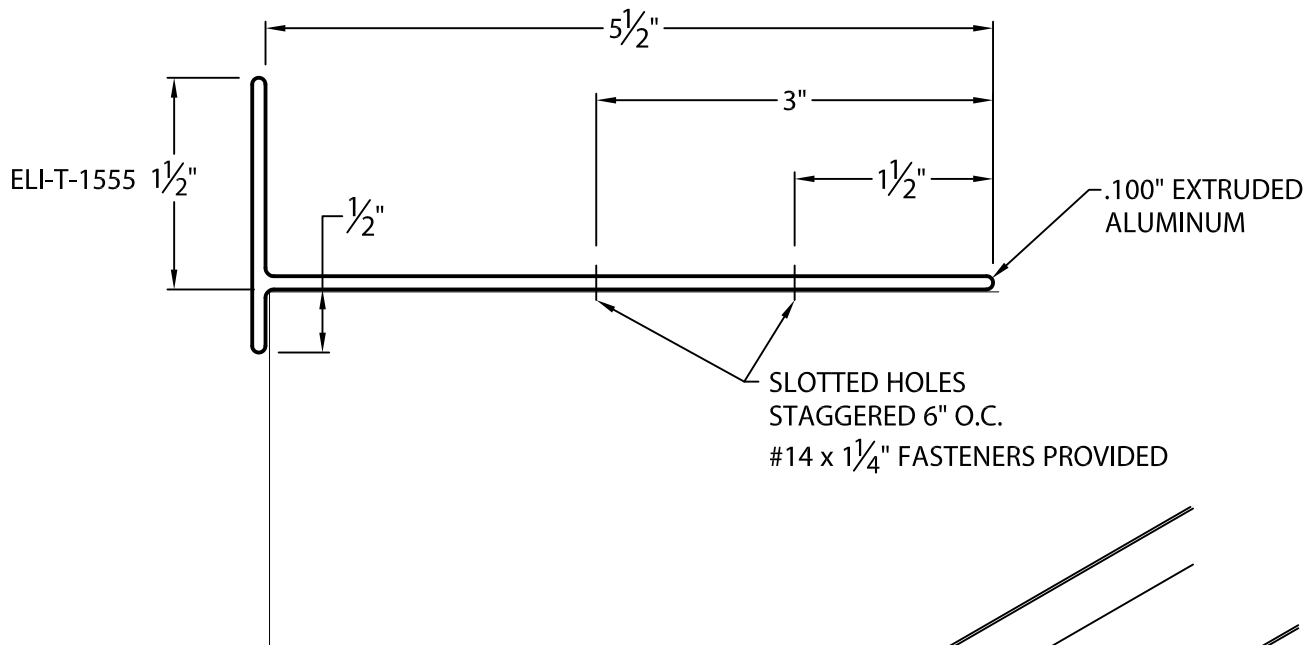
DWG# 11010-28227

A

# ELIMINAILER®-T

FOR USE WITH METAL DECK, 1.5" VERSION

U.S. PATENT # 9,878,023 B1



Fabrication will proceed only after receipt of signed print approval.

## Print Approval:

Architect and/or contractor shall verify all dimensions, sizes and quantities. All products to be installed in strict accordance with Metal-Era's printed instructions.

Approved by: \_\_\_\_\_  
Date: \_\_\_\_\_

METAL DECK (22 GA. OR 20 GA. ONLY):

METAL DECK HEIGHT: \_\_\_\_\_

### QUANTITIES:

\_\_\_\_\_ LINEAL FEET 12'-0" LENGTHS

PROJECT: \_\_\_\_\_  
 ARCHITECT: \_\_\_\_\_  
 ROOFING CONTRACTOR: \_\_\_\_\_  
 REPRESENTATIVE/DISTRIBUTOR: \_\_\_\_\_

Corporate Offices, Manufacturing  
 1600 Airport Road; Waukesha, WI 53188  
 Phone: 800-558-2162  
 Fax: 800-373-9156  
 www.metalera.com



DATE: 04/04/18  
 DRN BY: JJC  
 CKD BY: SAK

SHT.# \_\_\_\_ OF \_\_\_\_  
 DWG# 11018-27991

**A**