

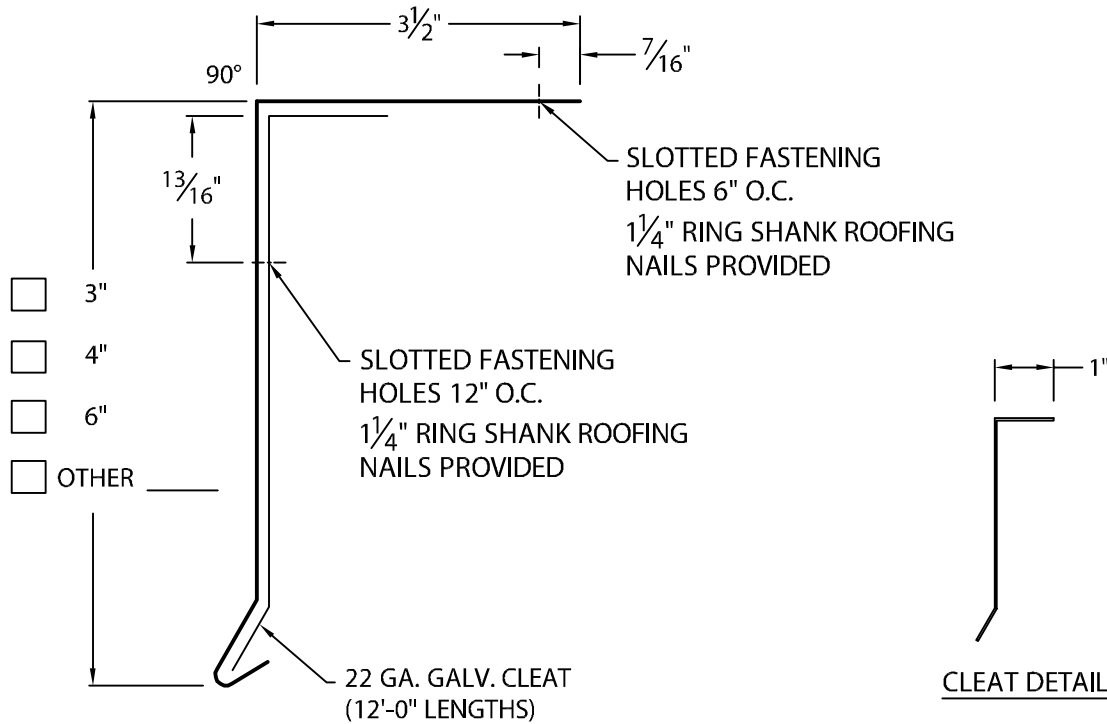


# SECUREWELD™ 200 TPO DRIP EDGE

WITH CONTINUOUS CLEAT

ANSI / SPRI ES-1 TESTED - FLORIDA BUILDING CODE APPROVED

12'-0" LENGTHS



## NOTES:

- NO LAP NOTCHES PROVIDED.
- NO SPLICE PLATES PROVIDED.
- ALL FASTENERS PROVIDED.

Fabrication will proceed only after receipt of signed print approval.

### Print Approval:

Architect and/or contractor shall verify all dimensions, sizes and quantities. All products to be installed in strict accordance with Carlisle's printed instructions.

Approved by: \_\_\_\_\_

Date: \_\_\_\_\_

## MATERIAL:

24 Ga. Galv. Steel Carlisle TPO Coated

## COLOR:

White

## QUANTITIES:

\_\_\_\_\_ Lineal Feet (12'-0" (3.65 m) Lengths)

\_\_\_\_\_ Outside Miters @ 90°

\_\_\_\_\_ Inside Miters @ 90°

FOR NON-90° MITERS SEE PRINT APPROVAL #15010-1625

PROJECT:

ARCHITECT:

ROOFING CONTRACTOR:

REPRESENTATIVE/DISTRIBUTOR:

Customer Service  
866-458-3537  
(Metal-Era)



DATE: 10/09/17

DRN BY: JJC

CKD BY: SAK

SHT.# \_\_\_\_ OF \_\_\_\_

DWG#15010-19117

E