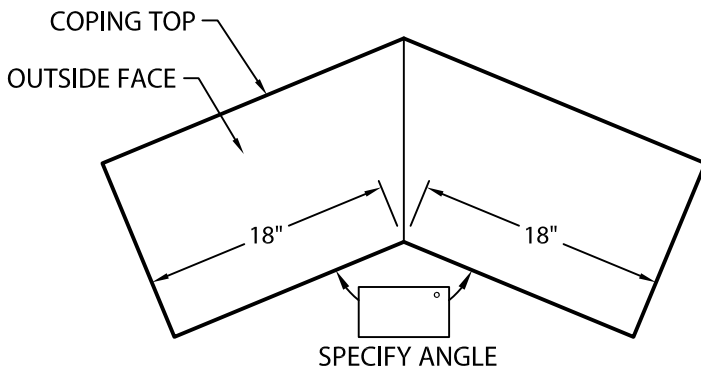


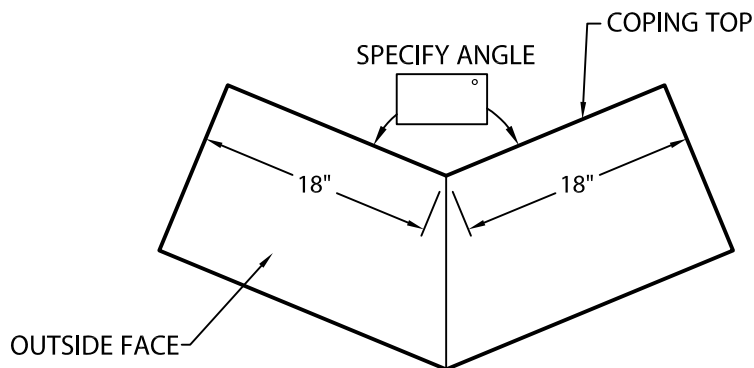
PEAK AND VALLEY COPING MITERS

PEAK MITER
FRONT VIEW SHOWN



WALL SIZE: _____
FOR CUSTOM LEG LENGTHS
MODIFY DRAWING ABOVE

VALLEY MITER
FRONT VIEW SHOWN



WALL SIZE: _____
FOR CUSTOM LEG LENGTHS
MODIFY DRAWING ABOVE

NOTES:

① WELDED ACCESSORIES REQUIRE A MINIMUM MATERIAL THICKNESS OF .050".

MATERIAL:

- ___ 24 GA. GALVANIZED STEEL
 - ___ 22 GA. GALVANIZED STEEL
 - ___ .040" ALUMINUM
 - ___ .050" ALUMINUM
 - ___ .063" ALUMINUM
 - ___ OTHER _____
- COLOR: _____
- FINISH: _____

QUANTITIES:

___ PEAK MITERS

___ VALLEY MITERS

SPECIFY ACCESSORY TYPE:
 WELDED ①
 QUICKLOCK

AUTHORIZED SIGNATURE: _____
APPROVED BY: _____
DATE: _____

PROJECT: _____
ARCHITECT: _____
ROOFING CONTRACTOR: _____
REPRESENTATIVE/DISTRIBUTOR: _____

CUSTOMER SERVICE
PHONE: 800-588-2162
FAX: 800-373-9156
WWW.METALERA.COM/GENFLEX



DATE: 02/20/21
DRN BY: JJC
CKD BY: MM

SHT.# ____ OF ____

DWG# 22011-19748

B