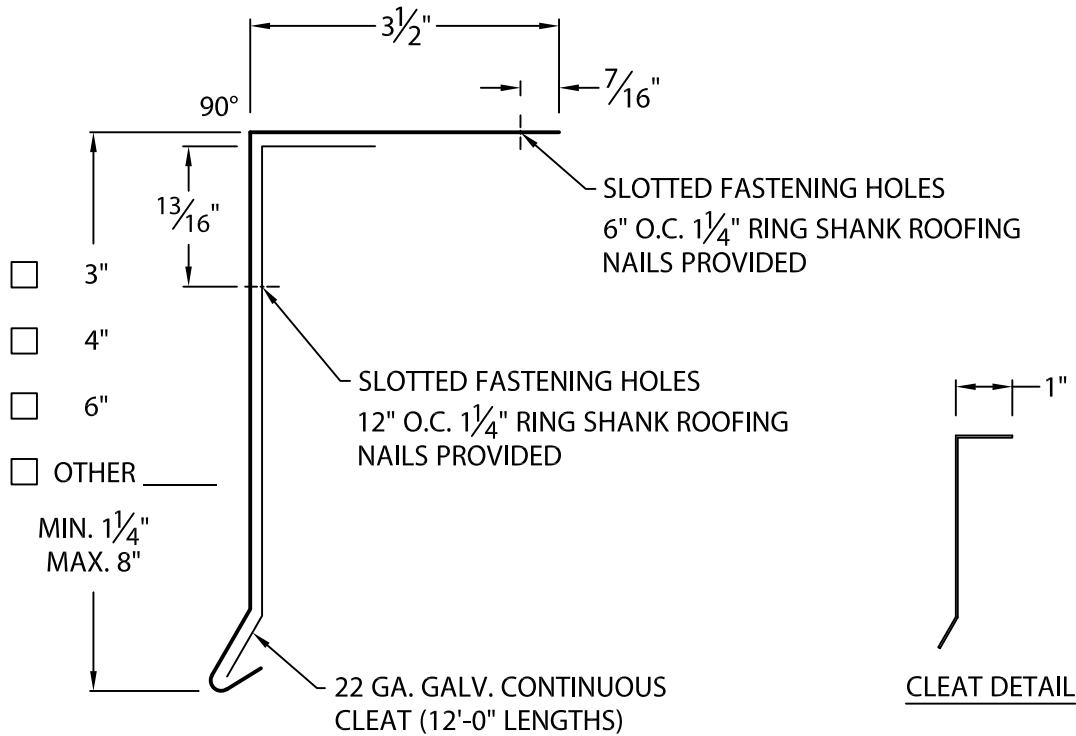


ONE PVC DRIP EDGE

WITH CONTINUOUS CLEAT - COVER IS 10'-0" LENGTHS, CONTINUOUS CLEAT IS 12'-0" LENGTHS

ANSI / SPRI ES-1 TESTED - FLORIDA BUILDING CODE APPROVED

10'-0" LENGTHS



NOTES:

- NO LAP NOTCHES PROVIDED.
- NO SPLICE PLATES PROVIDED.
- ALL FASTENERS PROVIDED.

Fabrication will proceed only after receipt of signed print approval.

Print Approval:

Architect and/or contractor shall verify all dimensions, sizes and quantities. All products to be installed in strict accordance with Metal-Era's printed instructions.

Approved by: _____

Date: _____

MATERIAL:

24 Ga. (.65 mm) Galv Steel PVC Coated

COLOR:

White

QUANTITIES:

_____ Lineal Feet (10'-0" (3.05 m) Lengths)

_____ Outside Miters @ 90°

_____ Inside Miters @ 90°

FOR NON-90° MITERS SEE PRINT APPROVAL #11010-1103

PROJECT:

ARCHITECT:

ROOFING CONTRACTOR:

REPRESENTATIVE/DISTRIBUTOR:

Corporate Offices, Manufacturing
1600 Airport Road; Waukesha, WI 53188
Phone: 800-558-2162
Fax: 800-373-9156
www.metalera.com



DATE: 10/03/18

DRN BY: JJC

CKD BY: SAK

SHT.# ____ OF ____

DWG# 11010-22105

E