



CUSTOM PRESTO-TITE RADIUS EDGE ONE

FULLY ADHERED OR MECHANICALLY ATTACHED SINGLE-PLY VERSION

CUSTOM FACE SIZE AND FASTENER LOCATION - 24 GA., 22 GA. AND .040" ALUMINUM COVER MATERIAL

IMPORTANT!!! MUST INDICATE PROPER RADIUS CONDITION BY CIRCLING APPROPRIATE OUTSIDE FACE

PROVIDING A RADIUS
THE RADIUS MAY BE PROVIDED IN ONE OF TWO METHODS:

1.) THE ACTUAL KNOWN RADIUS IS

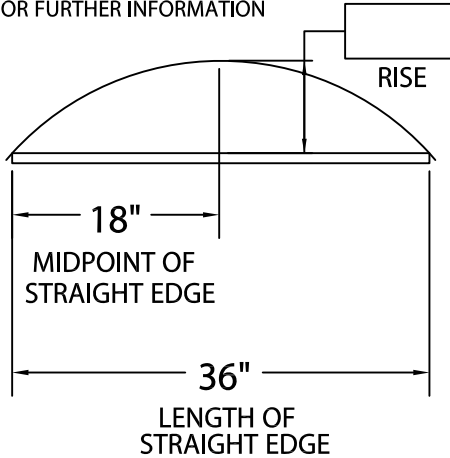


OR

2.) FIELD CONDITION MEASUREMENTS

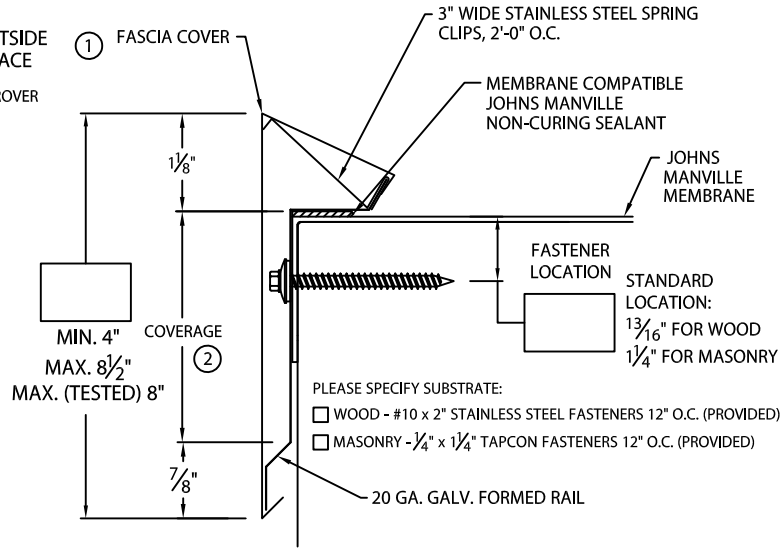
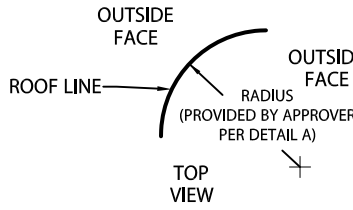
NOTE: REFER TO ATTACHED WORKSHEET FOR FURTHER INFORMATION

(MAX. RISE ALLOWED IS 3 1/2" ON 36" CHORD)



NOTE: CHECK MEASUREMENTS ALONG ENTIRE RADIUS.

DETAIL A



PLEASE SPECIFY SUBSTRATE:

- WOOD - #10 x 2" STAINLESS STEEL FASTENERS 12" O.C. (PROVIDED)
- MASONRY - 1/4" x 1 1/4" TAPCON FASTENERS 12" O.C. (PROVIDED)

- INDICATES AREA TO BE SLIT TO FORM RADIUS
- OVER 150'-0" RADIUS = NO SLITS
- 30'-0" - 150'-0" RADIUS = SLITS 12" O.C.
- 16'-0" - 30'-0" RADIUS = SLITS 6" O.C.
- 8'-0" - 16'-0" RADIUS = SLITS 3" O.C.
- 4'-0" - 8'-0" RADIUS = CUSTOM SLITS 3" O.C.

RADIUS FASCIA

RADIUS FORMED RAIL

NOTES:

- ① FASCIA COVER PROVIDED WITH 1" LAP JOINT
- ② TYPICALLY COVERAGE SHOULD EXTEND A MIN. OF 1" BELOW WOOD BLOCKING IF APPLICABLE.

Fabrication will proceed only after receipt of signed print approval.

Print Approval:

Architect and/or contractor shall verify all dimensions, sizes and quantities. All products to be installed in strict accordance Johns Manville's printed instructions.

Approved by: _____

Date: _____

MATERIAL:

- ___ 24 Ga. Galv. Steel
- ___ 22 Ga. Galv. Steel
- ___ .040" Aluminum
- ___ OTHER _____

Color: _____

Finish: _____

QUANTITIES:

_____ Lineal Feet 12'-0" Lengths
Cover and Rail Supplied in 12'-0" Lengths for 16'-0" radius or greater.
Cover and Rail Supplied in 6'-0" Lengths for radius less than 16'-0".

PROJECT:

ARCHITECT:

ROOFING CONTRACTOR:

REPRESENTATIVE/DISTRIBUTOR:

51 Lexington Street; Lewiston, ME 04240
CUSTOMER SERVICE: 800-223-8317 USA
800-445-1500 Canada
TECHNICAL SERVICE: 800-445-1500 USA & Canada
FAX: 207-784-0125
OTHER AREAS CALL: 207-784-0123



DATE: 03/14/24

SHT.# ___ OF ___

DRN BY: JJC

CKD BY: MM

DWG# 16310-20008

L