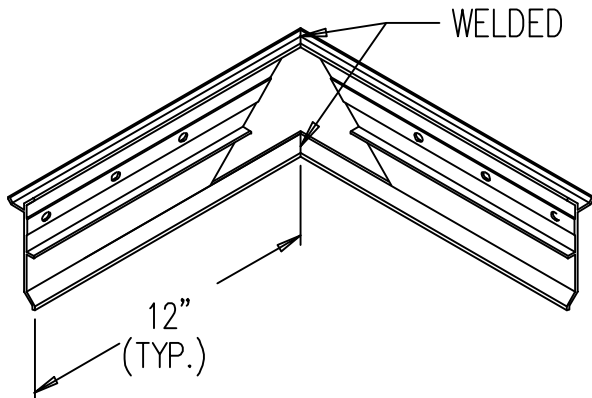


SECUREDGE 2000 FASCIA

MITERS - FACTORY WELDED CONSTRUCTION

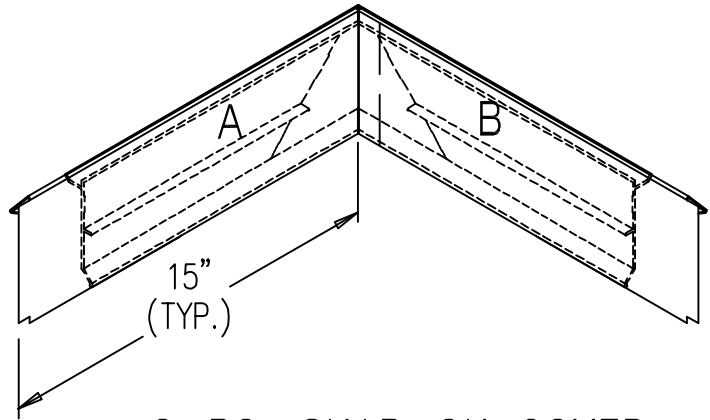
INSIDE MITER

ROOF SIDE



1-PC. ANCHOR-BAR

ROOF SIDE

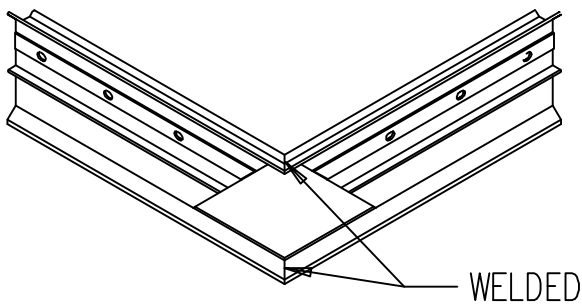


2-PC. SNAP-ON COVER

FASTENERS INCLUDED

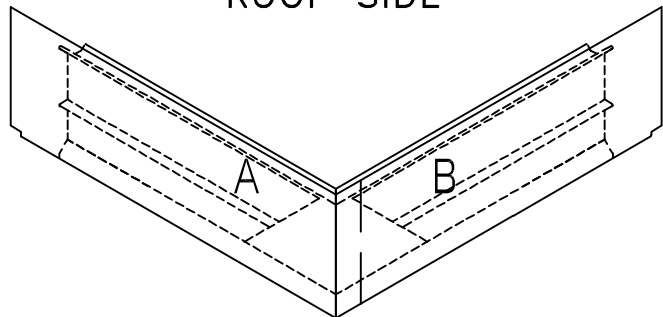
OUTSIDE MITER

ROOF SIDE



1-PC. ANCHOR-BAR

ROOF SIDE



2-PC. SNAP-ON COVER

NOTE:TREATED WOOD NAILERS REQUIRED.

PROJECT

ARCHITECT

ROOFING CONTRACTOR

REPRESENTATIVE/DISTRIBUTOR

Customer Service
888-666-4369
(Metal-Era)



DATE: 09/28/05

DRN BY: JJC

CKD BY: SAK

SHT.# ____ OF ____

DWG# 15510-1623

C